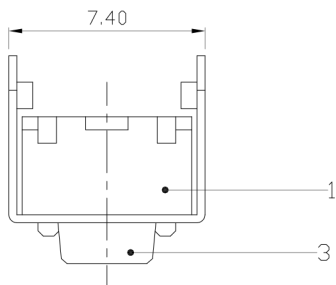




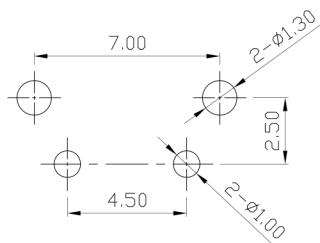
RoHS Compliant
2002/95/EC

REV.	ECN.	NO.	APPD.

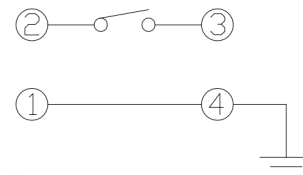
DIMENSIONS



P.C.B MOUNTING PATTERN DIMENSION



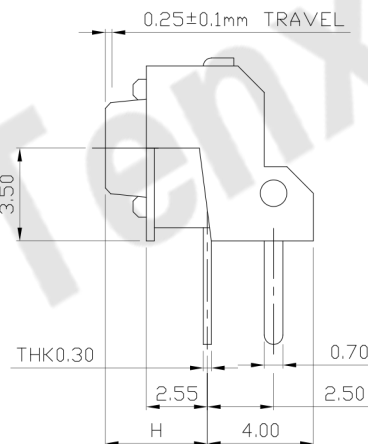
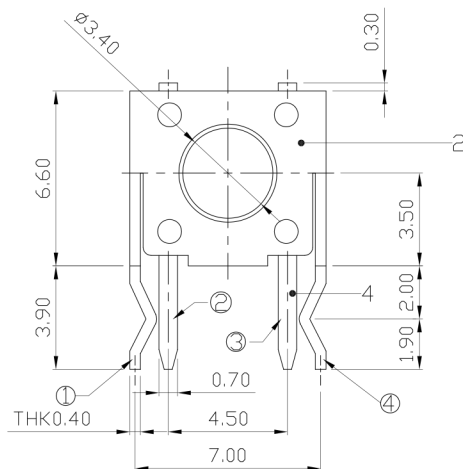
CIRCUIT DIAGRAM



MODEL CODE

AT-1102MN-

	H
-	3.15
A	3.85
B	5.85
D	8.35
C	6.85
F	11.35
E	6.15



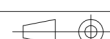
ELECTRO-MECHANICAL CHARACTERISTICS

Refer to additional specifications

Rating	DC 12V 50mA
Contact Resistance	100mΩ Max.
Travel	0.25±0.1mm
Operating Force	100/130/160/190±50gf 250±100gf
Operating Life(cycles)	100,000

5	CONTACT	PBS	1	Ag CLAD	WITHIN 1.5mm:±0.1mm	UNITS mm
4	TERMINAL	BRASS STRIP	2	Ag COATING	OVER 1.5mm:±0.2mm	MAT'L
3	KNOB	NYLON + F.G	1	BLACK		SEE NOTE
2	COVER	STEEL STRIP	1	Ni COATING		FINISH
1	CASE	NYLON + F.G	1	BLACK		SEE NOTE
NO.	PARTS	MATERIAL	Q'TY	FINISHING		Q'TY

THESE DRAWINGS AND SPECIFICATIONS ARE THE PROPERTY OF ACCURATE INNOVATECH INC AND SHALL NOT BE REPRODUCED, COPIED OR USED IN ANY MANNER WITHOUT THE PRIOR WRITTEN CONSENT OF ACCURATE INNOVATECH INC.



东莞市腾兴电子有限公司

TITLE: TACT SWITCH	PART NO.: AT-1102MN SERIES
DR: Ricky 2017/08/03	DWG NO.: AZJ-1102MN
CHKD: Ricky 2017/08/03	SCALE SHEET REV. CUSTOMER DRAWING
APPD:	4:1 1/1 A