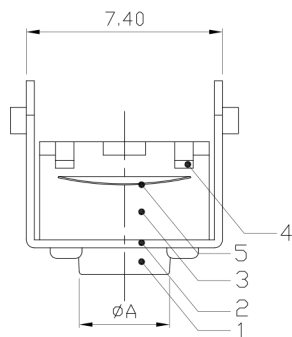




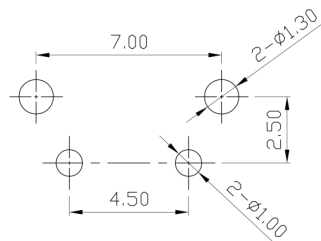
RoHS Compliant
2002/95/EC

REV.	ECN.	NO.	APPD.

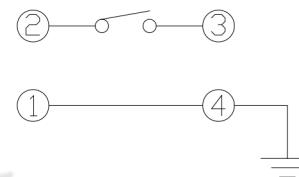
DIMENSIONS



P.C.B MOUNTING PATTERN DIMENSION



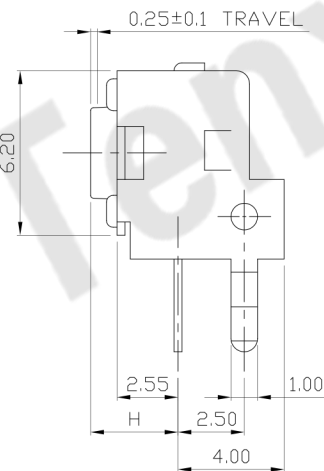
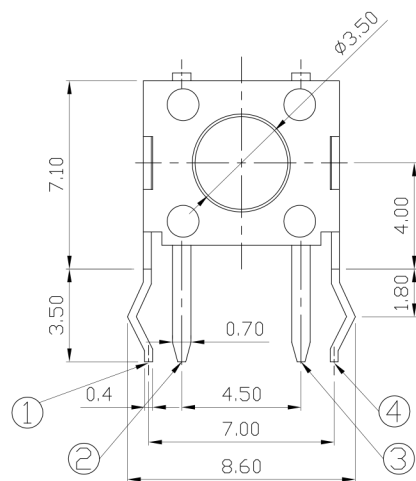
CIRCUIT DIAGRAM



MODEL CODE

AT-1102V-

	H	φA
-	3.15	3.5
A	3.85	3.4
B	5.85	3.3
D	8.35	3.3
C	6.85	3.3
F	11.35	3.0
E	6.15	3.3
FL	11.85	3.0



ELECTRO-MECHANICAL CHARACTERISTICS

Refer to additional specifications

Rating	DC 12V 50mA
Contact Resistance	100mΩ Max.
Travel	0.25±0.1mm
Operating Force	100/130/160/180±50gf 250±100gf
Operating Life(cycles)	100,000

NO.	PARTS	MATERIAL	Q'TY	FINISHING			
5	CONTACT	PBS	1	Ag CLAD	WITHIN 1.5mm:±0.1mm	UNITS	mm
4	TERMINAL	BRASS STRIP	2	Ag PLATED	OVER 1.5mm:±0.2mm	MAT'L	
3	CASE	NYLON+F.G	1	BLACK		SEE NOTE	
2	COVER	STEEL STRIP	1	Ni PLATED		FINISH	
1	KNOB	NYLON+F.G	1	BLACK		SEE NOTE	
						Q'TY	

THESE DRAWINGS AND SPECIFICATIONS ARE THE PROPERTY OF ACCURATE INNO TECH INC AND SHALL NOT BE REPRODUCED, COPIED OR USED IN ANY MANNER WITHOUT THE PRIOR WRITTEN CONSENT OF ACCURATE INNO TECH INC.



东莞市腾兴电子有限公司

TITLE:	TACT SWITCH	PART NO.:	AT-1102V SERIES
DR:	Ricky 2017/08/03	DWG NO.:	AZJ-1102V
CHKD:	Ricky 2017/08/03	SCALE	4:1
APPD:		SHEET	1/1
		REV.	A
		CUSTOMER DRAWING	