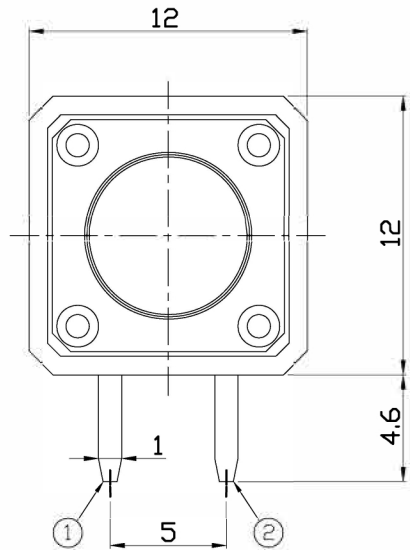




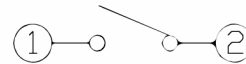
RoHS
Compliant
2002/95/EC

REV.	ECN. NO.	APPD.

DIMENSIONS



CIRCUIT DIAGRAM



PRODUCT IMAGE



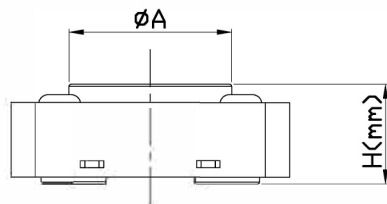
MODEL CODE

AT-1103V-

H	φA
4.3	6.8
5.0	6.8
5.5	6.8
6.0	6.7
6.5	6.7
7.0	6.7
7.5	6.7
8.0	6.6
8.5	6.6
9.0	6.6
9.5	6.6
10.0	6.0
10.5	6.0
11.0	6.0
11.5	6.0
12.0	6.0

P.C.B MOUNTING PATTERN DIMENSION

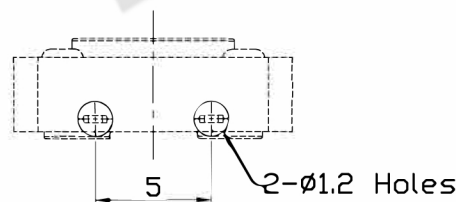
The following soldering patterns are recommended for reflow soldering



ELECTRO-MECHANICAL CHARACTERISTICS

Refer to additional specifications

Rating	DC 12V 50mA	
Contact Resistance	100mΩ Max.	
Travel	0.3 ± 0.1mm	
Operating Force	130,160±30gf	250±50gf
Operating Life(cycles)	100,000	



.X ±0.3	X. ±2*	UNI TS mm
		MAT'L SEE NOTE
		FIN SH SEE NOTE
		Q'TY

THESE DRAWINGS AND SPECIFICATIONS ARE THE PROPERTY OF ACCURATE INNOTECH INC AND SHALL NOT BE REPRODUCED, COPIED OR USED IN ANY MANNER WITHOUT THE PRIOR WRITTEN CONSENT OF ACCURATE INNOTECH INC.

东莞市腾兴电子有限公司			
TITLE TACT SWITCH		PART NO. :	
DR: Ricky 2014/03/27		DWG NO.:	
CHKD: Ricky 2014/03/27		SCALE	SHEET
APPD:		1:1	1/1
REV.	A	CUSTOMER	DRAWING