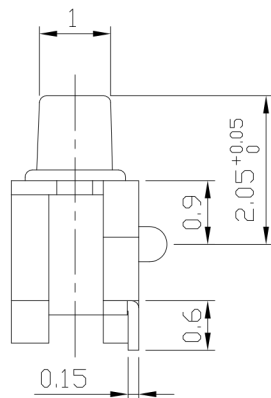
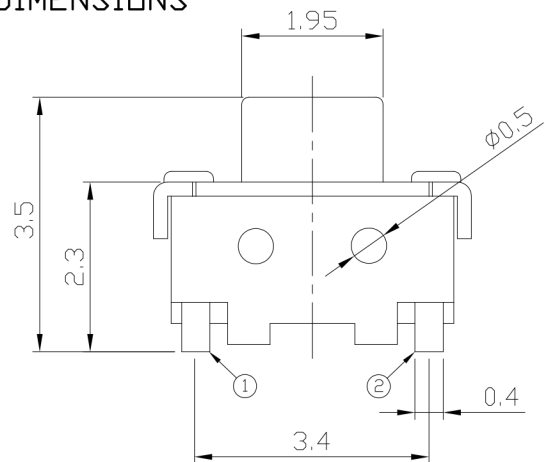




RoHS  
Compliant  
2002/95/EC

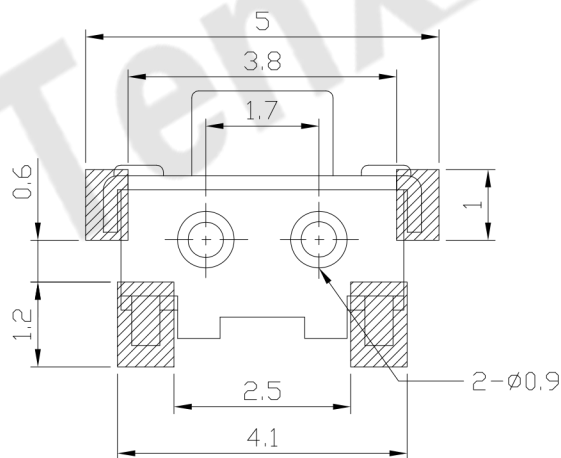
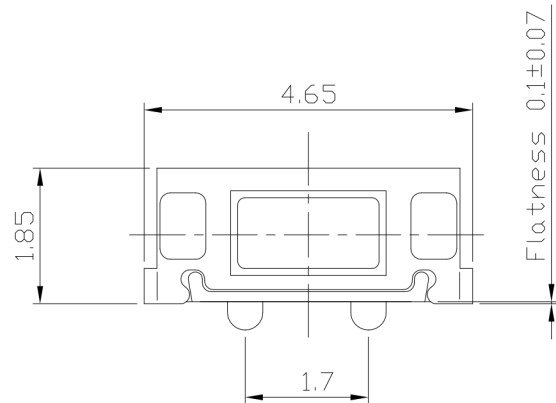
REV.	ECN. NO.	APPD.

### DIMENSIONS

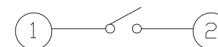


### P.C.B MOUNTING PATTERN DIMENSION

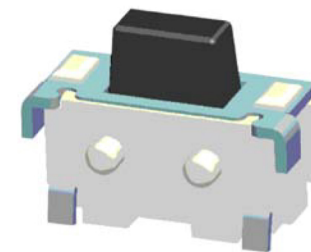
The following soldering patterns are recommended for reflow soldering



### CIRCUIT DIAGRAM



### PRODUCT IMAGE



### ELECTRO-MECHANICAL CHARACTERISTICS

Refer to additional specifications

Rating	DC 12V 50mA
Contact Resistance	100m $\Omega$ Max.
Travel	0.15 $\pm$ 0.1mm
Operating Force	160 $\pm$ 50gf
Operating Life(cycles)	100,000

.X  $\pm 0.2$

X.  $\pm 2'$

UNITS mm

MAT'L

SEE NOTE

FINISH

SEE NOTE

Q'TY



THESE DRAWINGS AND SPECIFICATIONS ARE THE PROPERTY OF ACCURATE INNOVATION INC AND SHALL NOT BE REPRODUCED, COPIED OR USED IN ANY MANNER WITHOUT THE PRIOR WRITTEN CONSENT OF ACCURATE INNOVATION INC.

东莞市腾兴电子有限公司

TITLE:  
TACT SWITCH

PART NO.:  
AT-1100AAEP SERIES

DR: Ricky 2015/03/18

DWG NO.:  
ASI-1100AAEP

CHKD: Ricky 2015/03/18

APPD:

SCALE	SHEET	REV.	CUSTOMER DRAWING
1:1	1/1	A	