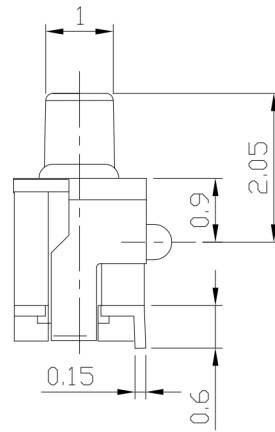
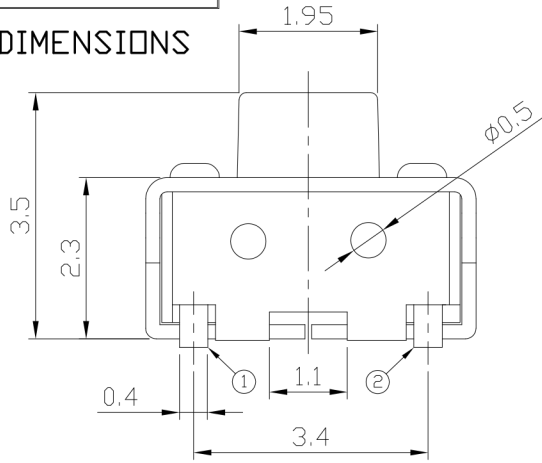




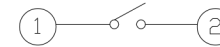
RoHS
Compliant
2002/95/EC

REV.	ECN. NO.	APPD.

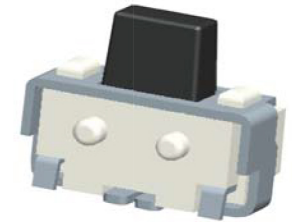
DIMENSIONS



CIRCUIT DIAGRAM

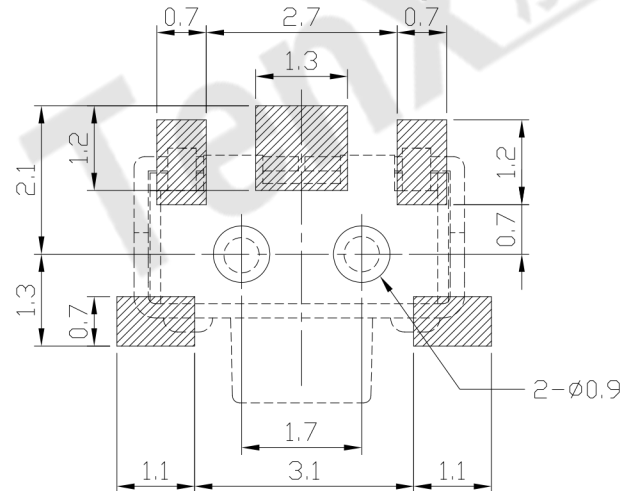
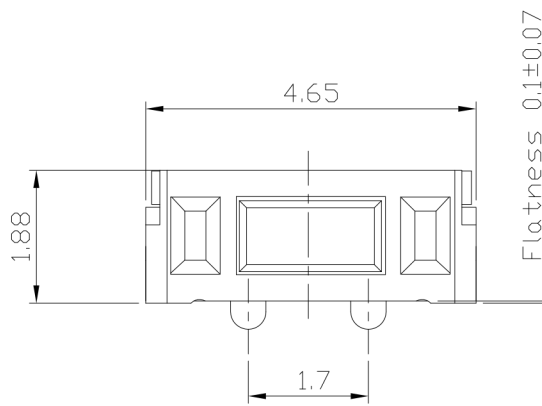


PRODUCT IMAGE



P.C.B MOUNTING PATTERN DIMENSION

The following soldering patterns are recommended for reflow soldering



ELECTRO-MECHANICAL CHARACTERISTICS

Refer to additional specifications

Rating	DC 12V 50mA
Contact Resistance	100m Ω Max.
Travel	0.15 \pm 0.1mm
Operating Force	160 \pm 50gf
Operating Life(cycles)	100,000

.X ± 0.2	X. $\pm 2'$	UNITS mm
		MAT'L
		SEE NOTE
		FINISH
		SEE NOTE
		Q'TY

THESE DRAWINGS AND SPECIFICATIONS ARE THE PROPERTY OF ACCURATE INNOVATECH INC AND SHALL NOT BE REPRODUCED, COPIED OR USED IN ANY MANNER WITHOUT THE PRIOR WRITTEN CONSENT OF ACCURATE INNOVATECH INC.

东莞市腾兴电子有限公司

TITLE: TACT SWITCH	PART NO.: AT-1100AAEP-G SERIES
DR: Ricky 2014/03/24	DWG NO.: ASI-1100AAEP-G
CHKD: Ricky 2014/03/24	SCALE SHEET REV. CUSTOMER DRAWING
APPD:	1:1 1/1 A