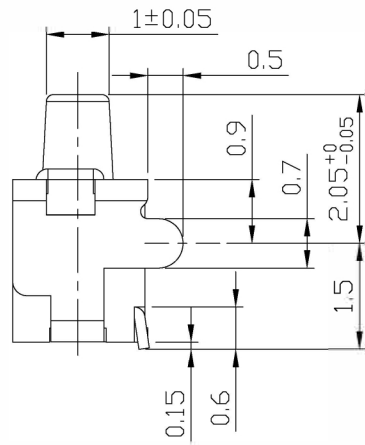
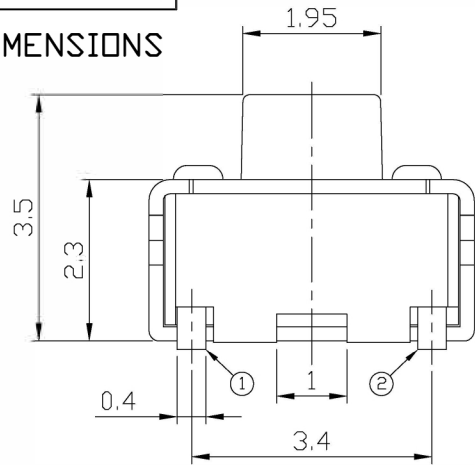




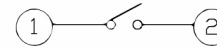
RoHS
Compliant
2002/95/EC

REV.	ECN.	NO.	APPD.

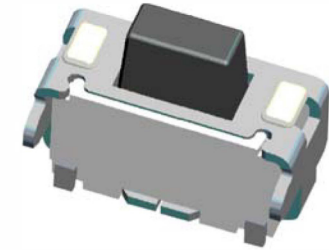
DIMENSIONS



CIRCUIT DIAGRAM

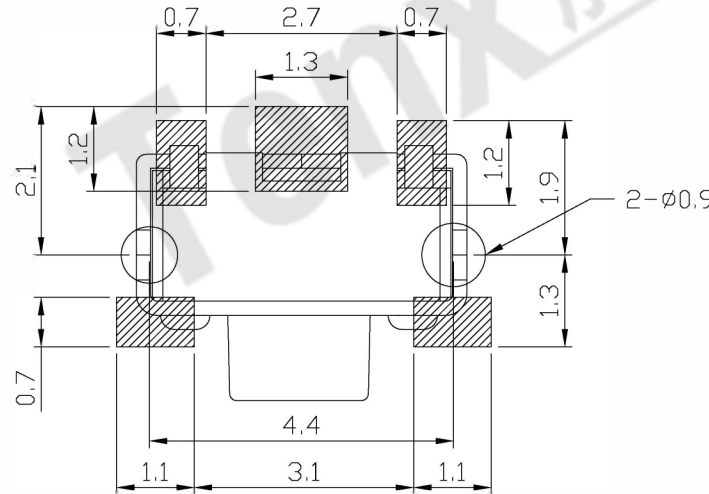
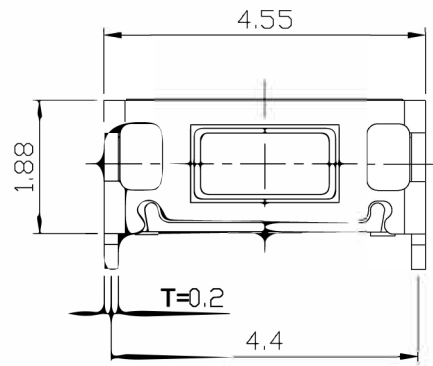


PRODUCT IMAGE



P.C.B MOUNTING PATTERN DIMENSION

The following soldering patterns are recommended for reflow soldering



ELECTRO-MECHANICAL CHARACTERISTICS

Refer to additional specifications

Rating	DC 12V 50mA
Contact Resistance	100mΩ Max.
Travel	0.15 ± 0.1mm
Operating Force	160±50gf
Operating Life(cycles)	100,000

.X ±0.2 X. ±2*
UNI TS mm
MAT'L
SEE NOTE
FIN SH
SEE NOTE
Q'TY
THESE DRAWINGS AND SPECIFICATIONS ARE THE PROPERTY OF ACCURATE INNOTECH INC AND SHALL NOT BE REPRODUCED, COPIED OR USED IN ANY MANNER WITHOUT THE PRIOR WRITTEN CONSENT OF ACCURATE INNOTECH INC.

东莞市腾兴电子有限公司			
TITLE TACT SWITCH		PART NO. :	
DR: Ricky 2015/03/17		DWG NO.:	
CHKD: Ricky 2015/03/17		SCALE	SHEET
APPD:	1:1	1/1	REV. A
		CUSTOMER DRAWING	