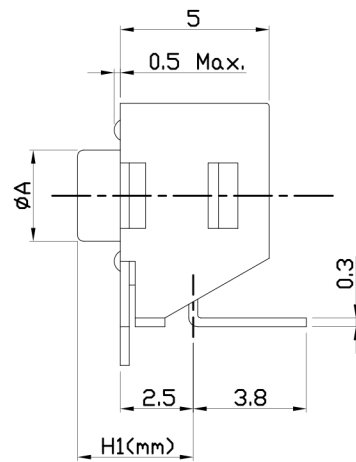
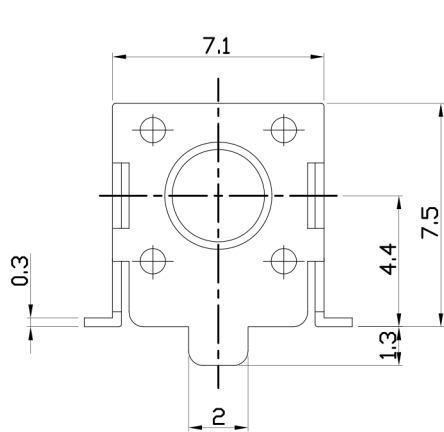




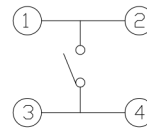
RoHS
Compliant
2002/95/EC

REV.	ECN.	NO.	APPD.

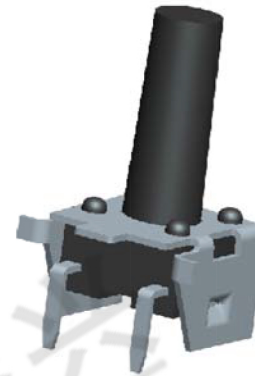
DIMENSIONS



CIRCUIT DIAGRAM



PRODUCT IMAGE



MODEL CODE

AT-1102US-

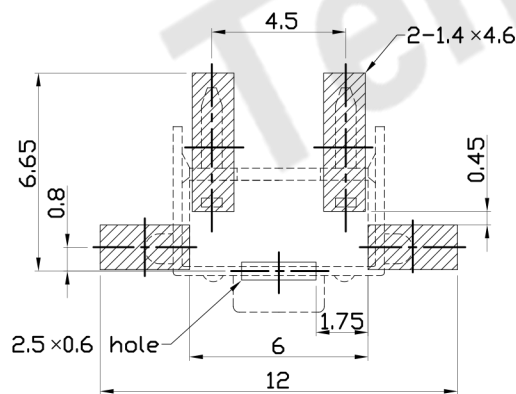
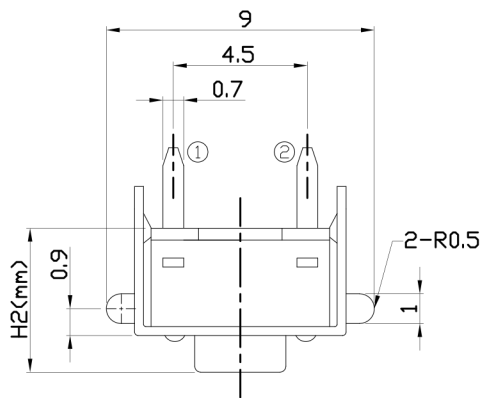
H1	H2	ØA
-	-	-

-9

	H1	H2	ØA
-	3.15	4.3	3.5
AS	3.35	4.5	3.5
A	3.85	5.0	3.5
AL	4.35	5.5	3.4
Q	4.85	6.0	3.4
QL	5.35	6.5	3.4
B	5.85	7.0	3.4
E	6.15	7.3	3.4
EL	6.35	7.5	3.4
C	6.85	8.0	3.4
CL	7.35	8.5	3.4
DS	7.85	9.0	3.3
D	8.35	9.5	3.3
DL	8.85	10.0	3.0
KS	9.35	10.5	3.0
K	9.85	11.0	3.0
KL	10.35	11.5	3.0
FS	10.85	12.0	3.0
F	11.35	12.5	3.0
FL	11.85	13.0	3.0
G	12.35	13.5	3.0
Ø	12.85	14.0	3.0
X	13.35	14.5	3.0
Y	13.85	15.0	3.0
Z	14.85	16.0	3.0
J	15.15	16.3	3.0
I	15.85	17.0	3.0
T	□2.4X2.4		
TA	□2.8X2.8		

P.C.B MOUNTING PATTERN DIMENSION

The following soldering patterns are recommended for reflow soldering



ELECTRO-MECHANICAL CHARACTERISTICS

Refer to additional specifications

Rating	DC 12V 50mA	
Contact Resistance	100mΩ Max.	
Travel	0.25 ± 0.1mm	
Operating Force	160±30gf	250±50gf
Operating Life(cycles)	100,000	Phosphor Bronze
	200,000	Stainless Steel

东莞市腾兴电子有限公司

.X ±0.3	X. ±2'	UNITS mm
		MAT'L
		SEE NOTE
		FINISH
		SEE NOTE
		Q'TY

THESE DRAWINGS AND SPECIFICATIONS ARE THE PROPERTY OF ACCURATE INNOVATECH INC AND SHALL NOT BE REPRODUCED, COPIED OR USED IN ANY MANNER WITHOUT THE PRIOR WRITTEN CONSENT OF ACCURATE INNOVATECH INC.

TITLE: TACT SWITCH	PART NO.: AT-1102US9 SERIES
DR: <i>Ricky</i> 2014/03/26	DWG NO.: ASI-1102US9
CHKD: <i>Ricky</i> 2014/03/26	SCALE SHEET REV. CUSTOMER DRAWING
APPD:	1:1 1/1 A