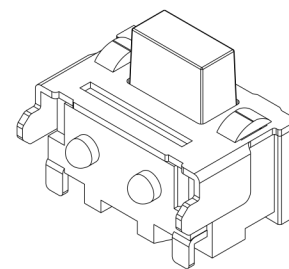
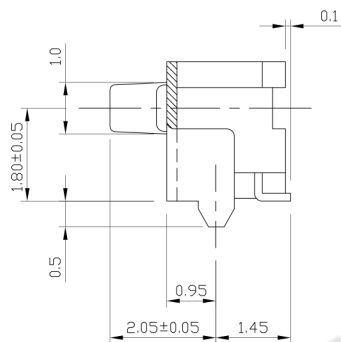
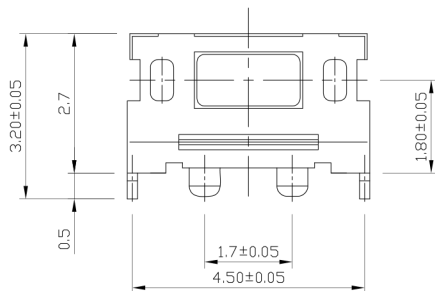
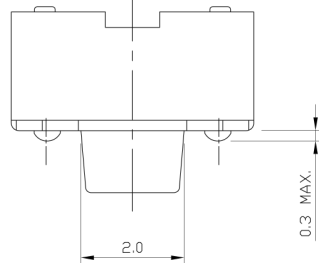




RoHS  
Compliant  
2002/95/EC

REV.	ECN.	NO.	APPD.

### DIMENSIONS

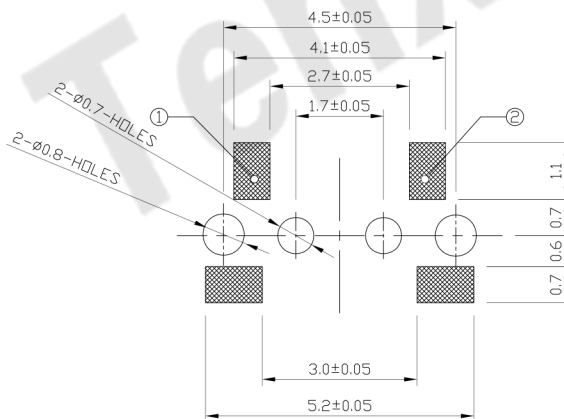
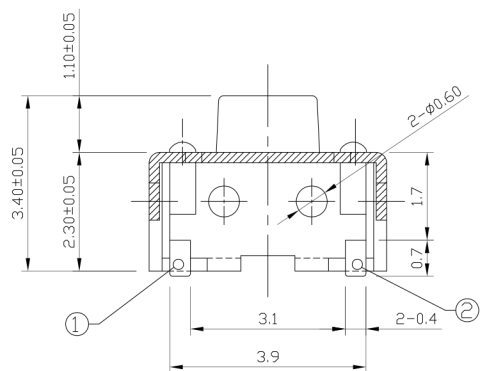


3D VIEW



CIRCUIT DIAGRAM

### P.C.B MOUNTING PATTERN DIMENSION



### ELECTRO-MECHANICAL CHARACTERISTICS

Refer to additional specifications

RATING	DC12V 50mA
CONTACT RESISTANCE	100mΩ MAX.
TRAVEL	0.2±0.1mm
OPERATING FORCE	160±50gf
OPERATING LIFE(cycles)	100,000

8						.X ±0.2	X. ±2'	UNITS	mm	<b>东莞市腾兴电子有限公司</b> TITLE: TACT SWITCH PART NO.: AT-1134CB SERIES DR: Ricky 2015/05/11 DWG NO.: AKS-1134CB CHKD: Ricky 2015/05/11 APPD:			
7						.XX ±0.1		MAT'L					
6								SEE NOTE					
5								FINISH					
4								SEE NOTE					
3								Q'TY					
2													
1													
NO.	PARTS	MATERIAL	Q'TY	FINISHING						SCALE	SHEET	REV.	CUSTOMER DRAWING
	1	2	3	4	5	6	7			5:1	1/1	A	

THESE DRAWINGS AND SPECIFICATIONS ARE THE PROPERTY OF ACCURATE INNO TECH INC AND SHALL NOT BE REPRODUCED, COPIED OR USED IN ANY MANNER WITHOUT THE PRIOR WRITTEN CONSENT OF ACCURATE INNO TECH INC.