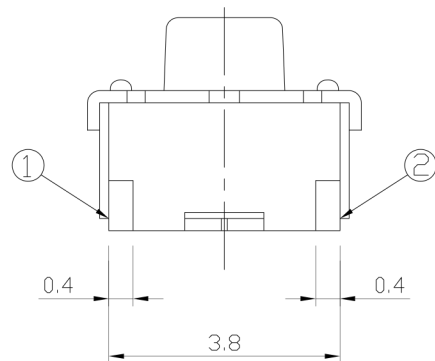
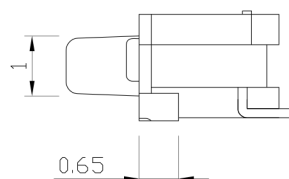
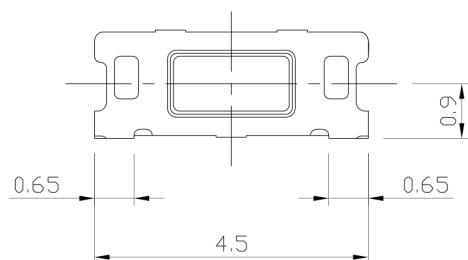
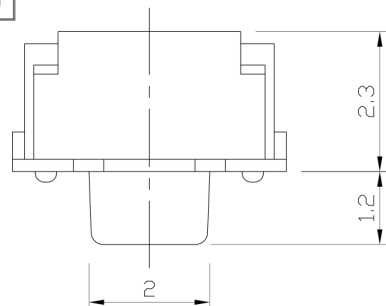




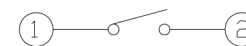
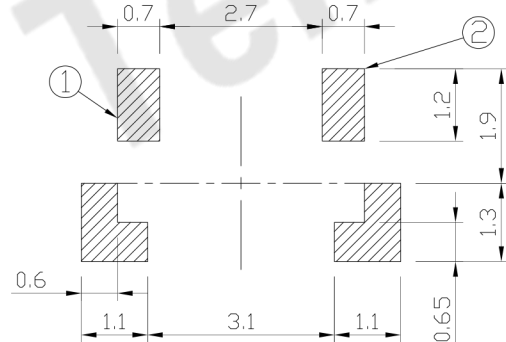
**RoHS
Compliant**
2002/95/EC

| REV. | ECN. | NO. | APPD. |
|------|------|-----|-------|
| | | | |
| | | | |
| | | | |

DIMENSIONS



P.C.B MOUNTING PATTERN DIMENSION



CIRCUIT DIAGRAM

ELECTRO-MECHANICAL CHARACTERISTICS

Refer to additional specifications

| | |
|------------------------|------------|
| RATING | DC12V 50mA |
| CONTACT RESISTANCE | 100mΩ MAX. |
| TRAVEL | 0.2±0.1mm |
| OPERATING FORCE | 160±50gf |
| OPERATING LIFE(cycles) | 100,000 |

| | | | | | | | | | | | | | |
|-----|-------|----------|------|-----------|--|---------|--------|--------|----------|--|-------|------|------------------|
| 8 | | | | | | .X ±0.3 | X. ±3' | UNITS | mm | 东莞市腾兴电子有限公司 TITLE: TACT SWITCH PART NO.: AT-1141N SERIES DR: <i>Ricky</i> 2015/05/08 DWG NO.: AKS-1141N CHKD: <i>Ricky</i> 2015/05/08 APPD: | | | |
| 7 | | | | | | | | MAT'L | SEE NOTE | | | | |
| 6 | | | | | | | | FINISH | SEE NOTE | | | | |
| 5 | | | | | | | | Q'TY | | | | | |
| 4 | | | | | | | | | | | | | |
| 3 | | | | | | | | | | | | | |
| 2 | | | | | | | | | | | | | |
| 1 | | | | | | | | | | | | | |
| NO. | PARTS | MATERIAL | Q'TY | FINISHING | | | | | | SCALE | SHEET | REV. | CUSTOMER DRAWING |
| | 1 | | | | | | | | | 9:1 | 1/1 | A | |

THESE DRAWINGS AND SPECIFICATIONS ARE THE PROPERTY OF ACCURATE INNOVATECH INC AND SHALL NOT BE REPRODUCED, COPIED OR USED IN ANY MANNER WITHOUT THE PRIOR WRITTEN CONSENT OF ACCURATE INNOVATECH INC.