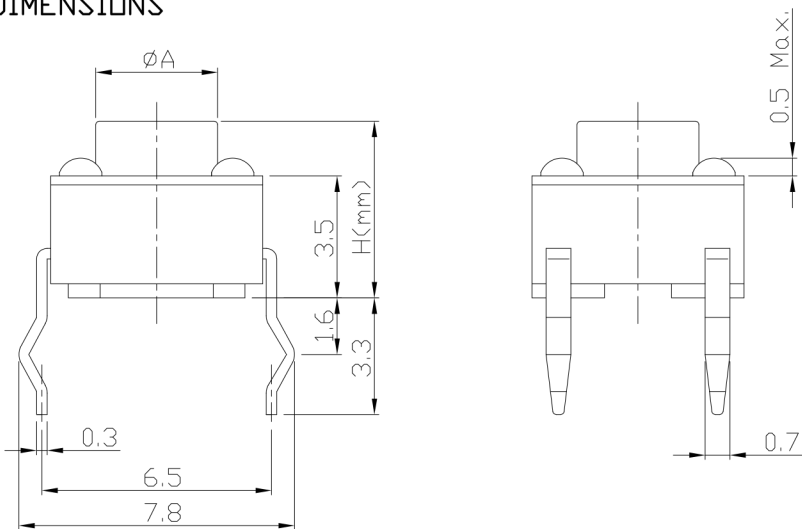




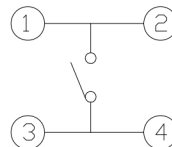
RoHS
Compliant
2002/95/EC

REV.	ECN.	NO.	APPD.

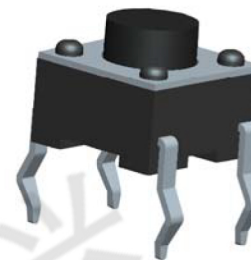
DIMENSIONS



CIRCUIT DIAGRAM



PRODUCT IMAGE



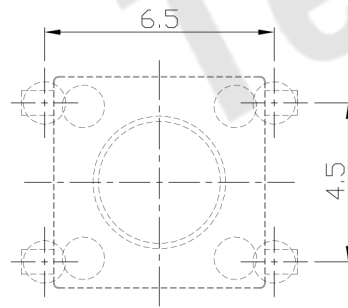
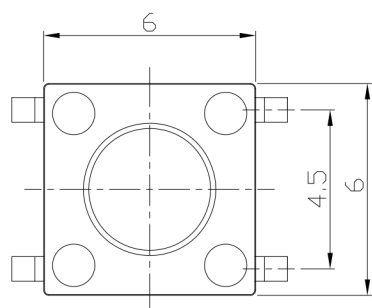
MODEL CODE

AT-1102- H ϕA

-	4.3	3.5
AS	4.5	3.5
A	5.0	3.5
AL	5.5	3.4
Q	6.0	3.4
QL	6.5	3.4
B	7.0	3.4
E	7.3	3.4
EL	7.5	3.4
C	8.0	3.4
CL	8.5	3.4
DS	9.0	3.4
D	9.5	3.4
DL	10.0	3.0
KS	10.5	3.0
K	11.0	3.0
KL	11.5	3.0
FS	12.0	3.0
F	12.5	3.0
FL	13.0	3.0
G	13.5	3.0
\square	14.0	3.0
X	14.5	3.0
Y	15.0	3.0
Z	16.0	3.0
J	16.5	3.0
I	17.0	3.0
T	<input type="checkbox"/> 2.4X2.4	
TA	<input type="checkbox"/> 2.8X2.8	

P.C.B MOUNTING PATTERN DIMENSION

The following soldering patterns are recommended for reflow soldering



ELECTRO-MECHANICAL CHARACTERISTICS

Refer to additional specifications

Rating	DC 12V 50mA	
Contact Resistance	100m Ω Max.	
Travel	0.25 \pm 0.1mm	
Operating Force	130,160 \pm 30gf	250 \pm 50gf
Operating Life(cycles)	100,000	Phosphor Bronze
	200,000	Stainless Steel

东莞市腾兴电子有限公司

.X \pm 0.3	X. \pm 2'	UNITS mm
		MAT'L SEE NOTE
		FINISH SEE NOTE
		Q'TY

THESE DRAWINGS AND SPECIFICATIONS ARE THE PROPERTY OF ACCURATE INNOTECH INC AND SHALL NOT BE REPRODUCED, COPIED OR USED IN ANY MANNER WITHOUT THE PRIOR WRITTEN CONSENT OF ACCURATE INNOTECH INC.

TITLE: TACT SWITCH		PART NO.: AT-1102 SERIES	
DR: Ricky 2014/03/18		DWG NO.: ASI-1102	
CHKD: Ricky 2014/03/18		SCALE	SHEET
APPD:		1:1	1/1
		REV. A	CUSTOMER DRAWING