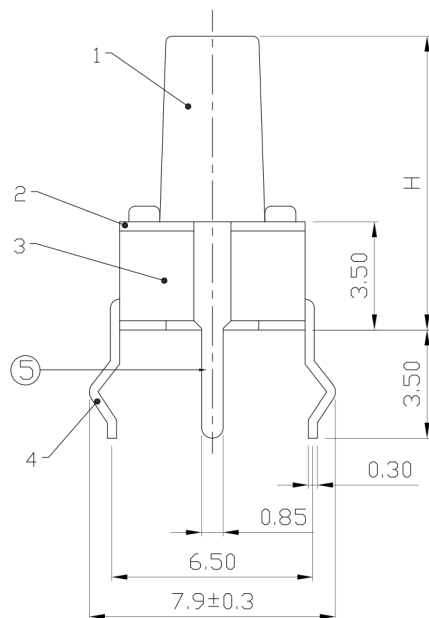
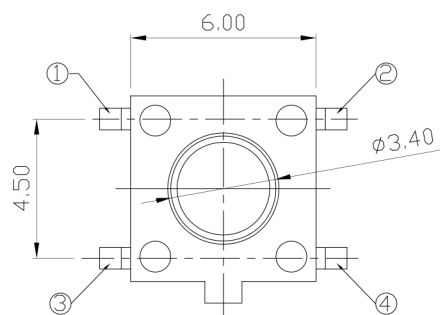




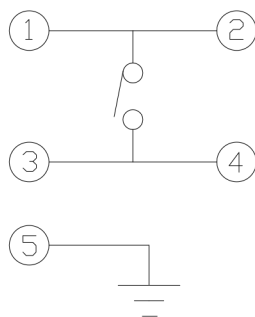
RoHS Compliant
2002/95/EC

REV.	ECN.	NO.	APPD.

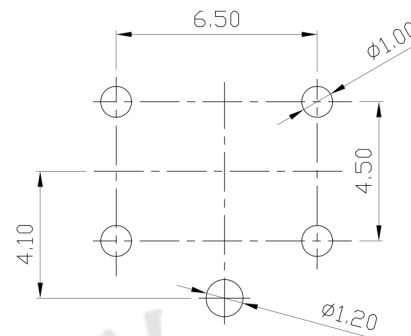
DIMENSIONS



CIRCUIT DIAGRAM



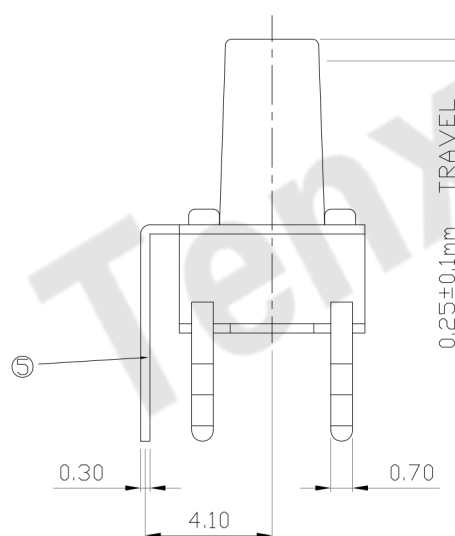
P.C.B MOUNTING PATTERN DIMENSION



MODEL CODE

AT-1102P-

	H
-	4.3
A	5.0
B	7.0
E	7.3
C	8.0
D	9.5
F	12.5



ELECTRO-MECHANICAL CHARACTERISTICS

Refer to additional specifications

Rating	DC 12V 50mA	
Contact Resistance	100mΩ Max.	
Travel	0.25±0.1mm	
Operating Force	100/130/160/190±50gf	250/320±100gf
Operating Life(cycles)	100,000	

5	CONTACT	PBS C5210R/SUS	1	Ag CALD	WITHIN 1.5mm:±0.1mm
4	TERMINAL	BRASS STRIP	4	Ag PLATED	OVER 1.5mm:±0.2mm
3	CASE	NYLON+F.G/PBT	1	BLACK	
2	COVER	MILD STEEL	1	Ni PLATED	
1	KNOB	NYLON+F.G/PBT	1	BLACK	
NO.	PARTS	MATERIAL	Q'TY	FINISHING	

THESE DRAWINGS AND SPECIFICATIONS ARE THE PROPERTY OF ACCURATE INNO TECH INC AND SHALL NOT BE REPRODUCED, COPIED OR USED IN ANY MANNER WITHOUT THE PRIOR WRITTEN CONSENT OF ACCURATE INNO TECH INC.

UNITS	mm	东莞市腾兴电子有限公司			
MAT'L	SEE NOTE				
FINISH	SEE NOTE	TITLE:	TACT SWITCH		
Q'TY		PART NO.:	AT-1102P SERIES		
		DR:	Ricky 2017/08/01		DWG NO.:
		CHKD:	Ricky 2017/08/01		AZJ-1102P
		APPD:	SCALE	SHEET	REV.
			4:1	1/1	A
					CUSTOMER DRAWING