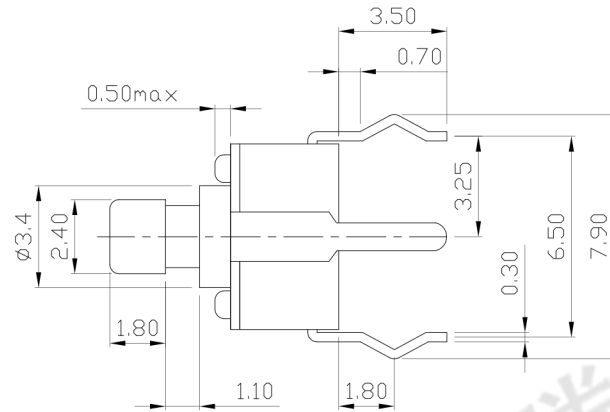
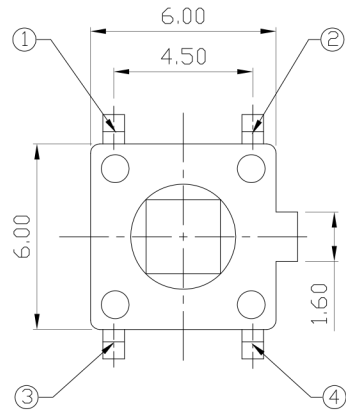




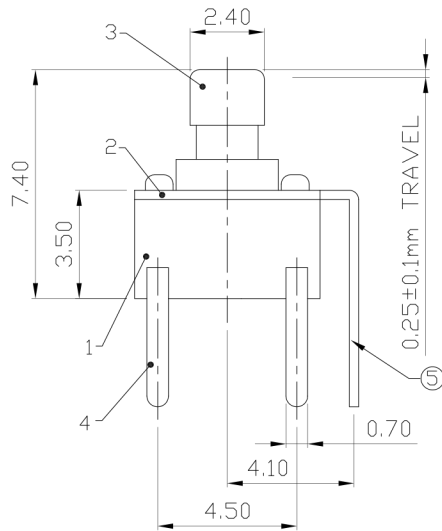
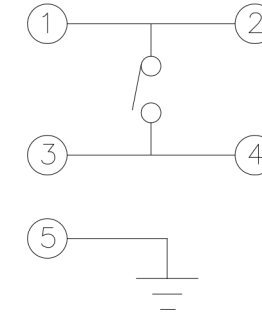
RoHS Compliant
2002/95/EC

REV.	ECN.	NO.	APPD.

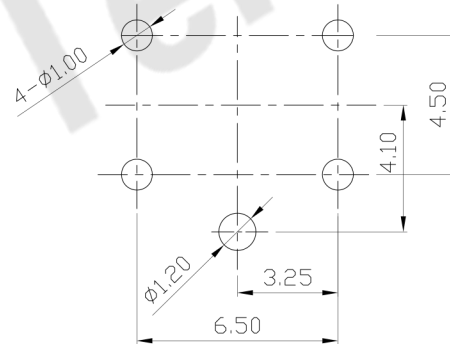
DIMENSIONS



CIRCUIT DIAGRAM



P.C.B MOUNTING PATTERN DIMENSION



ELECTRO-MECHANICAL CHARACTERISTICS

Refer to additional specifications

Rating	DC 12V 50mA	
Contact Resistance	100mΩ Max.	
Travel	0.25±0.1mm	
Operating Force	100/130/160±50gf	250±100gf
Operating Life(cycles)	100,000	

5	CONTACT	PBS	1	Ag CALD	WITHIN 1.5mm:±0.1mm
4	TERMINAL	BRASS STRIP	4	Ag PLATED	OVER 1.5mm:±0.2mm
3	KNOB	NYION + F.G	1	BLACK	
2	COVER	STEEL STRIP	1	Ni PLATED	
1	CASE	NYION + F.G	1	BLACK	
NO.	PARTS	MATERIAL	Q'TY	FINISHING	

UNITS	mm
MAT'L	SEE NOTE
FINISH	SEE NOTE
Q'TY	

THESE DRAWINGS AND SPECIFICATIONS ARE THE PROPERTY OF ACCURATE INNOTECH INC AND SHALL NOT BE REPRODUCED, COPIED OR USED IN ANY MANNER WITHOUT THE PRIOR WRITTEN CONSENT OF ACCURATE INNOTECH INC.

东莞市腾兴电子有限公司

TITLE: TACT SWITCH		PART NO.: AT-1102PT SERIES	
DR: Ricky 2017/08/01		DWG NO.: AZJ-1102PT	
CHKD: Ricky 2017/08/01		SCALE	SHEET
APPD:		4:1	1/1
		REV.	CUSTOMER DRAWING
		A	