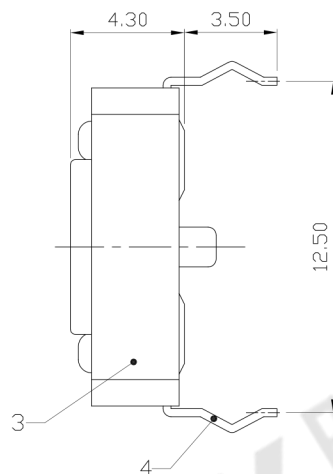
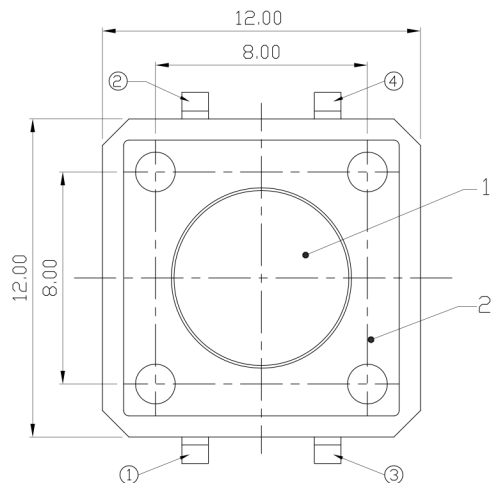




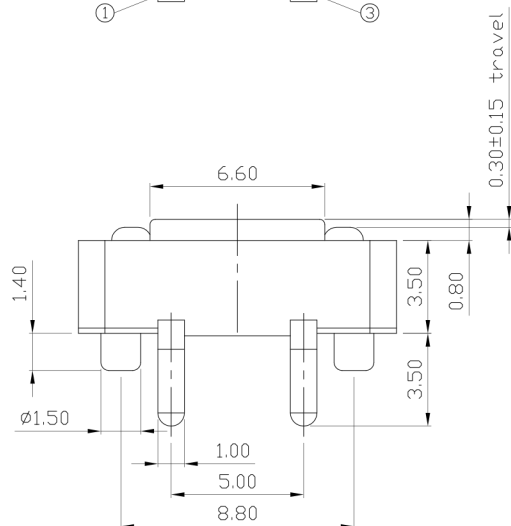
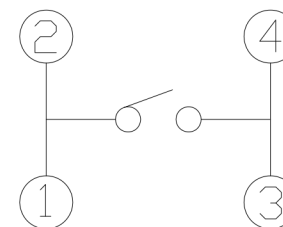
RoHS  
Compliant  
2002/95/EC

REV.	ECN. NO.	APPD.

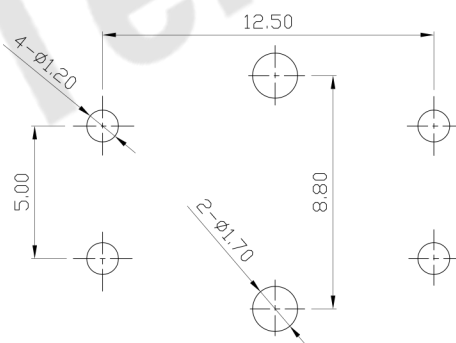
### DIMENSIONS



### CIRCUIT DIAGRAM



### P.C.B MOUNTING PATTERN DIMENSION



### ELECTRO-MECHANICAL CHARACTERISTICS

Refer to additional specifications

Rating	DC 12V 50mA	
Contact Resistance	100mΩ Max.	
Travel	0.30±0.15mm	
Operating Force	160±50gf	250±100gf
Operating Life(cycles)	100,000	

5	SPRING PLATE	PBS	1	Ag CALD	WITHIN 1.5mm:±0.1mm
4	TERMINAL	BRASS STRIP	1	Ag COATING	OVER 1.5mm:±0.2mm
3	CASE	NYLON+F.G	1	BLACK	
2	COVER	PET	1	NATURAL	
1	KNOB	NYLON+F.G	1	BLACK	
NO.	PARTS	MATERIAL	Q'TY	FINISHING	

THESE DRAWINGS AND SPECIFICATIONS ARE THE PROPERTY OF ACCURATE INNO TECH INC AND SHALL NOT BE REPRODUCED, COPIED OR USED IN ANY MANNER WITHOUT THE PRIOR WRITTEN CONSENT OF ACCURATE INNO TECH INC.

UNITS	mm	<b>东莞市腾兴电子有限公司</b>			
MAT'L	SEE NOTE				
FINISH	SEE NOTE	TITLE:	PART NO.:		
Q'TY		TACT SWITCH	AT-1103E SERIES		
		DR: Ricky 2017/08/02	DWG NO.:		
		CHKD: Ricky 2017/08/02	AZJ-1103E		
		APPD:	SCALE	SHEET	REV.
			4:1	1/1	A
			CUSTOMER DRAWING		

