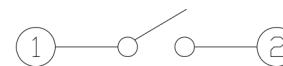
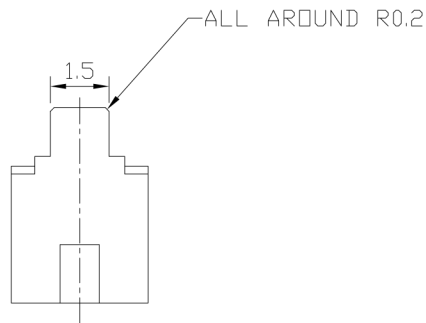
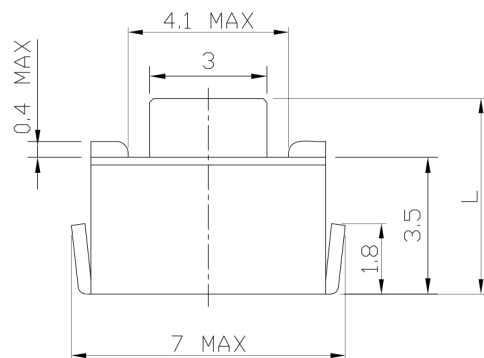




**RoHS Compliant**  
2002/95/EC

REV.	ECN. NO.	APPD.

### DIMENSIONS



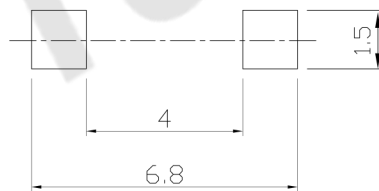
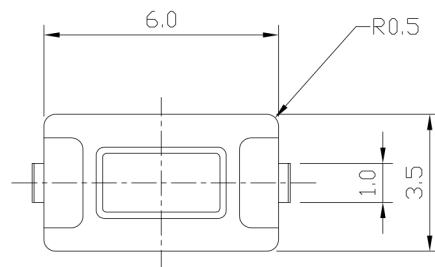
CIRCUIT DIAGRAM

### MODEL CODE

AT-1101NH

L(mm)	
-	4.3
A	5.0

### P.C.B MOUNTING PATTERN DIMENSION



### ELECTRO-MECHANICAL CHARACTERISTICS

Refer to additional specifications

RATING	DC12V 50mA MAX
CONTACT RESISTANCE	100mΩ MAX.
TRAVEL	0.25±0.1mm
OPERATING FORCE	180±50gf   250±50gf
OPERATING LIFE(cycles)	50,000

8					.X ±0.3	X. ±2'	UNITS	mm	<b>东莞市腾兴电子有限公司</b> TITLE: TACT SWITCH      PART NO.: AT-1101NH SERIES DR: <i>Ricky</i> 2015/04/27      DWG NO.: AKS-1101NH CHKD: <i>Ricky</i> 2015/04/27 APPD:
7							MAT'L		
6							SEE NOTE		
5	CONTACT	SUS 301	1	Ag□.3u			FINISH		
4	TERMINAL	C2680R-EH	1	Ag□.3u			SEE NOTE		
3	COVER	SPT	1	Sn			Q'TY		
2	STEM	ARLEN(6T)	1						
1	CASE	ARLEN(6T)	1						
NO.	PARTS	MATERIAL	Q'TY	FINISHING					SCALE SHEET REV. CUSTOMER DRAWING
									5:1 1/1 A

THESE DRAWINGS AND SPECIFICATIONS ARE THE PROPERTY OF ACCURATE INNOTECH INC AND SHALL NOT BE REPRODUCED, COPIED OR USED IN ANY MANNER WITHOUT THE PRIOR WRITTEN CONSENT OF ACCURATE INNOTECH INC.