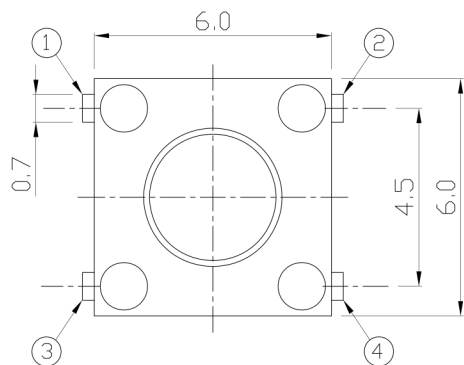




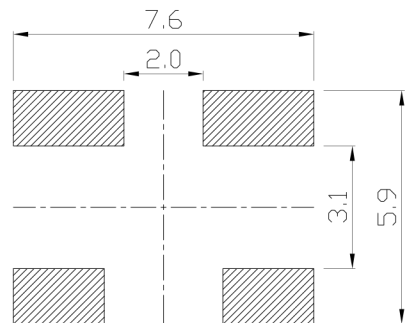
RoHS Compliant
2002/95/EC

REV.	ECN. NO.	APPD.

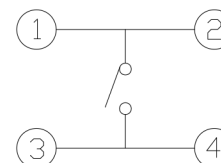
DIMENSIONS



P.C.B MOUNTING PATTERN DIMENSION



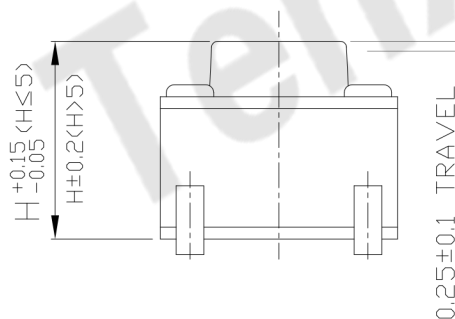
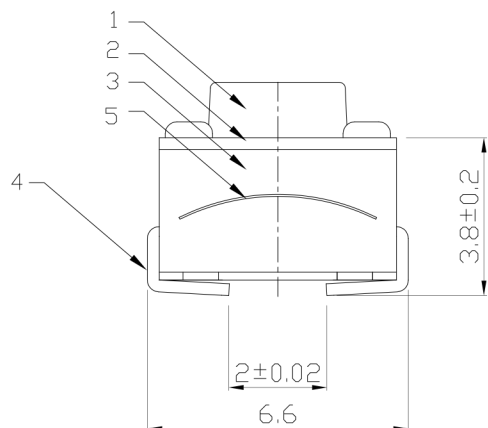
CIRCUIT DIAGRAM



MODEL CODE

AT-1102SJ-

	H
-	4.3
A	5.0
Q	6.0
B	7.0
E	7.3
C	8.0
CL	8.5
D	9.5
F	12.5
FL	13.0
I	17.0



ELECTRO-MECHANICAL CHARACTERISTICS

Refer to additional specifications

Rating	DC 12V 50mA		
Contact Resistance	100mΩ Max.		
Travel	0.25±0.1mm		
Operating Force	100±50gf	130±50gf	160±50gf
	250±100gf	320±100gf	
Operating Life(cycles)	100,000		

NO.	PART NAME	MATERIAL	QTY.	FINISHING	
5	CONTACT	PBS/SUS	1	Ag CLAD	WITHIN 1.5mm ±0.1
4	TERMINAL	BRASS STRIP	4	Ag PLATED	OVER 1.5mm ±0.2
3	CASE	NYLON+F.G	1	BLACK	
2	COVER	MILD STEEL	1	NI PLATED	
1	KNOB	NYLON+F.G	1	BLACK	

UNITS	mm
MAT'L	SEE NOTE
FINISH	SEE NOTE
Q'TY	

THESE DRAWINGS AND SPECIFICATIONS ARE THE PROPERTY OF ACCURATE INNO TECH INC AND SHALL NOT BE REPRODUCED, COPIED OR USED IN ANY MANNER WITHOUT THE PRIOR WRITTEN CONSENT OF ACCURATE INNO TECH INC.



东莞市腾兴电子有限公司

TITLE:	TACT SWITCH	PART NO.:	AT-1102SJ SERIES		
DR:	Ricky 2017/09/19	DWG NO.:	AZJ-1102SJ		
CHKD:	Ricky 2017/09/19	SCALE	8:1	SHEET	1/1
APPD:		REV.	A	CUSTOMER	DRAWING