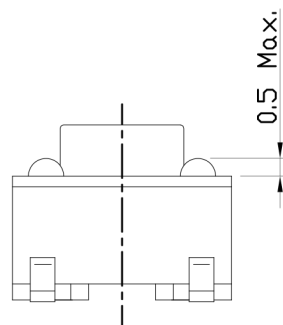
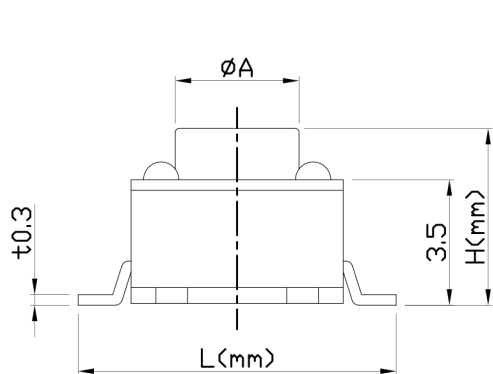




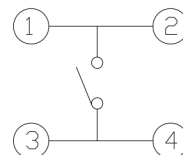
RoHS  
Compliant  
2002/95/EC

REV.	ECN.	NO.	APPD.

### DIMENSIONS



### CIRCUIT DIAGRAM



### PRODUCT IMAGE

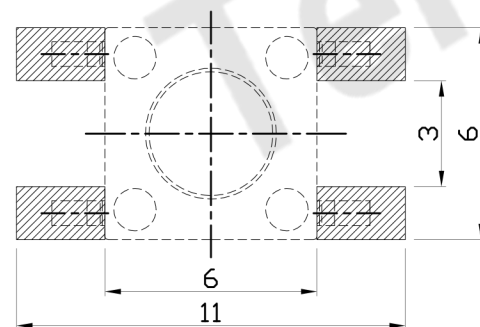
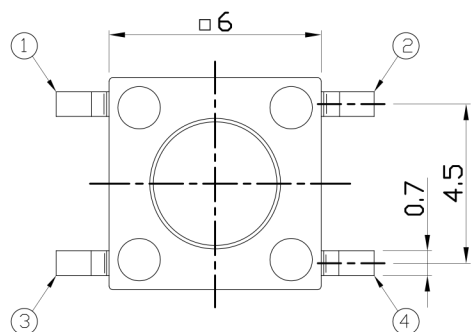


### MODEL CODE

	H	ØA	L
-	4.3	3.5	8
AS	4.5	3.5	9
A	5.0	3.5	
AL	5.5	3.4	
Q	6.0	3.4	
QL	6.5	3.4	
B	7.0	3.4	
E	7.3	3.4	
EL	7.5	3.4	
C	8.0	3.4	
CL	8.5	3.4	
DS	9.0	3.4	
D	9.5	3.4	
DL	10.0	3.0	
KS	10.5	3.0	
K	11.0	3.0	
KL	11.5	3.0	
FS	12.0	3.0	
F	12.5	3.0	
FL	13.0	3.0	
G	13.5	3.0	
□	14.0	3.0	
X	14.5	3.0	
Y	15.0	3.0	
Z	16.0	3.0	
J	16.3	3.0	
I	17.0	3.0	
T	□2.4X2.4		
TA	□2.8X2.8		

### P.C.B MOUNTING PATTERN DIMENSION

The following soldering patterns are recommended for reflow soldering



### ELECTRO-MECHANICAL CHARACTERISTICS

Refer to additional specifications

Rating	DC 12V 50mA	
Contact Resistance	100mΩ Max.	
Travel	0.25 ± 0.1mm	
Operating Force	100,130,160±30gf	250±50gf
Operating Life(cycles)	100,000	Phosphor Bronze
	200,000	Stainless Steel

东莞市腾兴电子有限公司

.X ±0.3	X. ±2'	UNITS mm
		MAT'L
		SEE NOTE
		FINISH
		SEE NOTE
		Q'TY

THESE DRAWINGS AND SPECIFICATIONS ARE THE PROPERTY OF ACCURATE INNOTECH INC AND SHALL NOT BE REPRODUCED, COPIED OR USED IN ANY MANNER WITHOUT THE PRIOR WRITTEN CONSENT OF ACCURATE INNOTECH INC.

TITLE: <b>TACT SWITCH</b>		PART NO.:	
DR: <i>Ricky</i> 2014/03/25		6*6*4. 3定柄	
CHKD: <i>Ricky</i> 2014/03/25		DWG NO.:	
APPD:	SCALE	SHEET	REV.
	1:1	1/1	A
			CUSTOMER DRAWING