

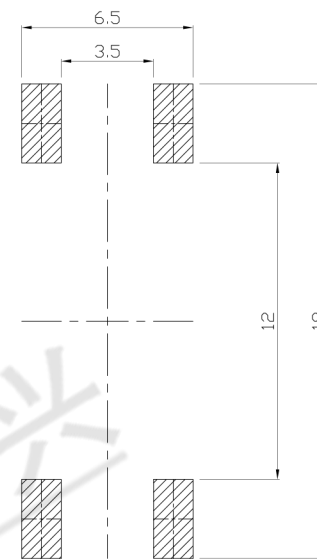
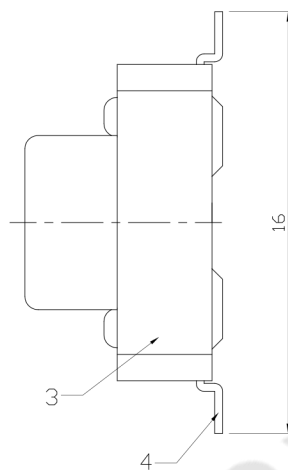
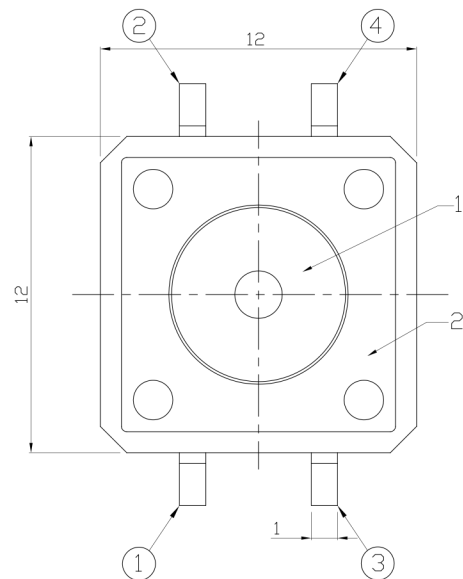


RoHS
Compliant
2002/95/EC

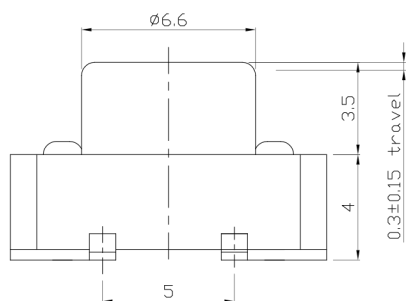
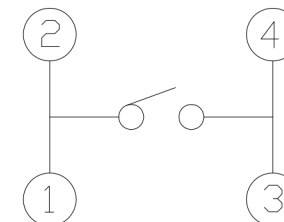
REV.	ECN. NO.	APPD.

P.C.B MOUNTING PATTERN DIMENSION

DIMENSIONS



CIRCUIT DIAGRAM



ELECTRO-MECHANICAL CHARACTERISTICS

Refer to additional specifications

Rating	DC 12V 50mA	
Contact Resistance	100mΩ Max.	
Travel	0.3±0.15mm	
Operating Force	160±50gf	250±100gf
Operating Life(cycles)	100,000	

5	SPRING PLATE	PBS	1	Ag CLAD
4	TERMINAL	BRASS STRIP	4	Ag COATING
3	CASE	NYLON+F.G	1	BLACK
2	COVER	MILD STEEL	1	Ni COATING
1	KNOB	NYLON+F.G	1	BLACK
NO.	PART NAME	MATERIAL	QTY.	FINISHING

THESE DRAWINGS AND SPECIFICATIONS ARE THE PROPERTY OF ACCURATE INNOTECH INC AND SHALL NOT BE REPRODUCED, COPIED OR USED IN ANY MANNER WITHOUT THE PRIOR WRITTEN CONSENT OF ACCURATE INNOTECH INC.

WITHIN 1.5mm ±0.1	UNITS mm	东莞市腾兴电子有限公司			
OVER 1.5mm ±0.2					
SEE NOTE	MAT'L	TITLE: TACT SWITCH		PART NO.: AT-1103SB SERIES	
SEE NOTE	FINISH	DR: Ricky 2017/09/20		DWG NO.: AZJ-1103SB	
Q'TY	Q'TY	CHKD: Ricky 2017/09/20		SCALE	SHEET
		APPD:		4:1	1/1
				REV. A	CUSTOMER DRAWING