

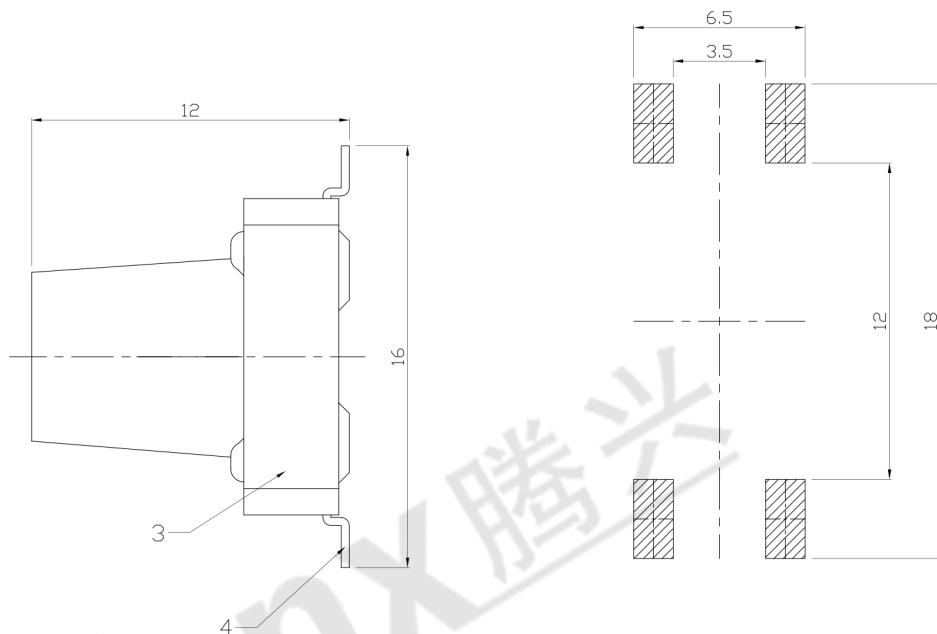
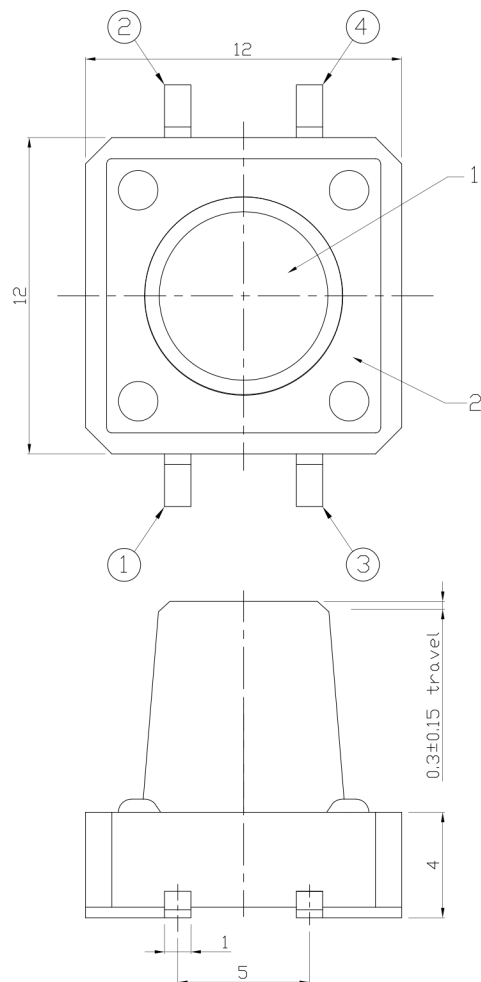


RoHS
Compliant
2002/95/EC

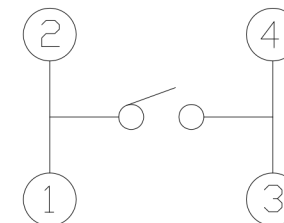
REV.	ECN. NO.	APPD.

P.C.B MOUNTING PATTERN DIMENSION

DIMENSIONS



CIRCUIT DIAGRAM



ELECTRO-MECHANICAL CHARACTERISTICS

Refer to additional specifications

Rating	DC 12V 50mA	
Contact Resistance	100mΩ Max.	
Travel	0.3±0.15mm	
Operating Force	160±50gf	250±100gf
Operating Life(cycles)	100,000	

5	SPRING PLATE	PBS	1	Ag CLAD	WITHIN 1.5mm ±0.1
4	TERMINAL	BRASS STRIP	4	Ag COATING	OVER 1.5mm ±0.2
3	CASE	NYLON+F.G	1	BLACK	
2	COVER	MILD STEEL	1	Ni COATING	
1	KNOB	NYLON+F.G	1	GREY	
NO.	PART NAME	MATERIAL	QTY.	FINISHING	

THESE DRAWINGS AND SPECIFICATIONS ARE THE PROPERTY OF ACCURATE INNOVATECH INC AND SHALL NOT BE REPRODUCED, COPIED OR USED IN ANY MANNER WITHOUT THE PRIOR WRITTEN CONSENT OF ACCURATE INNOVATECH INC.

UNITS	mm	东莞市腾兴电子有限公司			
MAT'L	SEE NOTE				
FINISH	SEE NOTE	TITLE:	PART NO.:		
Q'TY	SEE NOTE	DR:	TACT SWITCH		AT-1103SD SERIES
		CHKD:	DR: <i>Ricky</i> 2017/09/20		DWG NO.:
		APPD:	CHKD: <i>Ricky</i> 2017/09/20		AZJ-1103SD
			SCALE	SHEET	REV.
			4:1	1/1	A
			CUSTOMER DRAWING		