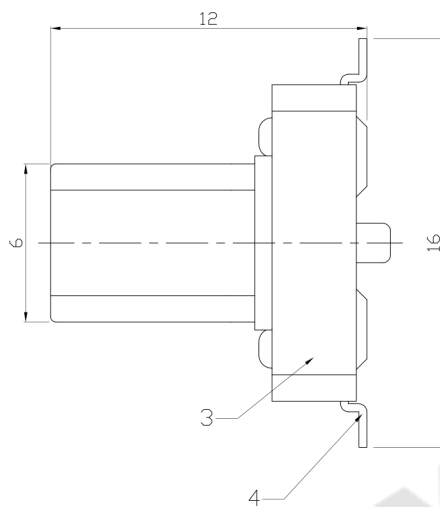
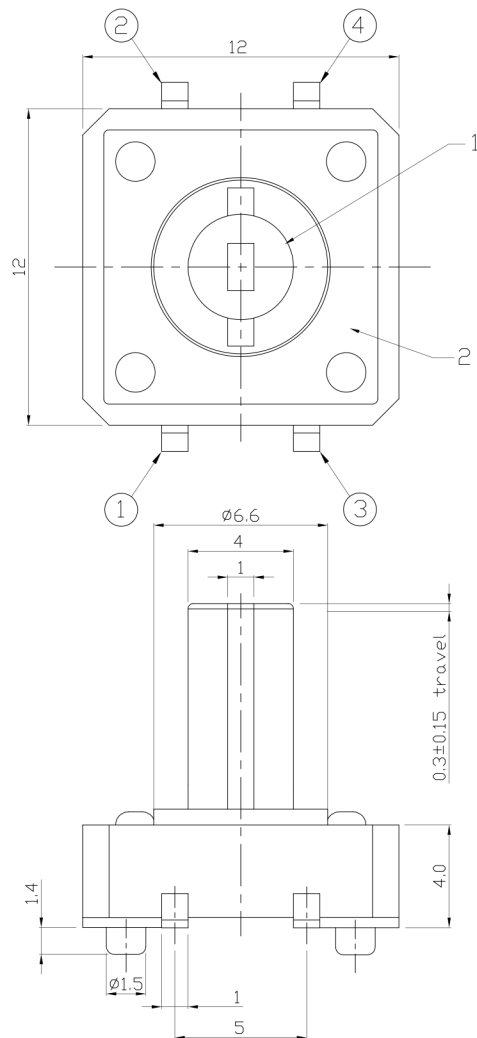




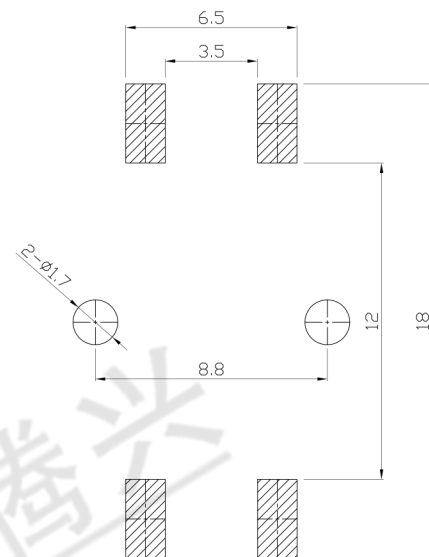
RoHS Compliant
2002/95/EC

REV.	ECN.	NO.	APPD.

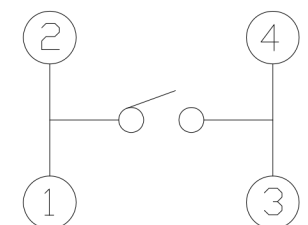
DIMENSIONS



P.C.B MOUNTING PATTERN DIMENSION



CIRCUIT DIAGRAM



ELECTRO-MECHANICAL CHARACTERISTICS

Refer to additional specifications

Rating	DC 12V 50mA	
Contact Resistance	100mΩ Max.	
Travel	0.3±0.15mm	
Operating Force	160±50gf	250±100gf
Operating Life(cycles)	100,000	

5	SPRING PLATE	PBS	1	Ag CLAD
4	TERMINAL	BRASS STRIP	4	Ag COATING
3	CASE	NYLON+F.G	1	BLACK
2	COVER	MILD STEEL	1	Ni COATING
1	KNOB	NYLON+F.G	1	NATURAL
NO.	PART NAME	MATERIAL	QTY.	FINISHING

WITHIN 1.5mm ±0.1	UNITS mm
OVER 1.5mm ±0.2	
	MAT'L SEE NOTE
	FINISH SEE NOTE
	Q'TY

THESE DRAWINGS AND SPECIFICATIONS ARE THE PROPERTY OF ACCURATE INNO TECH INC AND SHALL NOT BE REPRODUCED, COPIED OR USED IN ANY MANNER WITHOUT THE PRIOR WRITTEN CONSENT OF ACCURATE INNO TECH INC.

东莞市腾兴电子有限公司			
TITLE: TACT SWITCH	PART NO.: AT-1103SEA SERIES		
DR: Ricky 2017/09/20	DWG NO.: AZJ-1103SEA		
CHKD: Ricky 2017/09/20	SCALE: 4:1	SHEET: 1/1	REV. A
APPD:	CUSTOMER DRAWING		