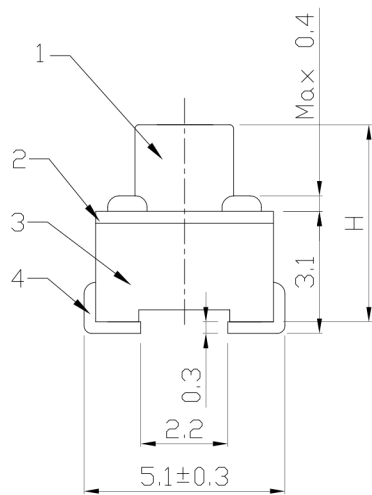
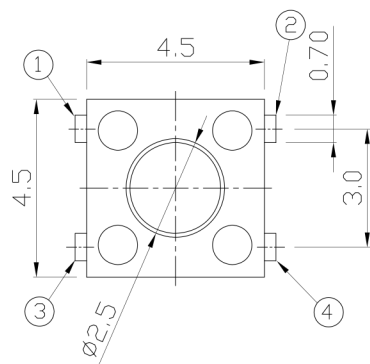




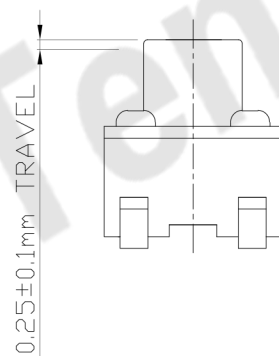
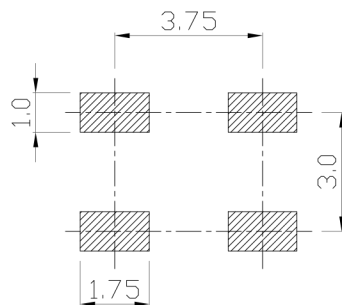
RoHS  
Compliant  
2002/95/EC

REV.	ECN. NO.	APPD.

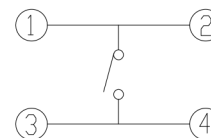
### DIMENSIONS



### P.C.B MOUNTING PATTERN DIMENSION



### CIRCUIT DIAGRAM



### MODEL CODE

AT-1109U-

	H
-	3.8
C	5.0

### ELECTRO-MECHANICAL CHARACTERISTICS

Refer to additional specifications

Rating	DC 12V 50mA	
Contact Resistance	100mΩ Max.	
Travel	0.25±0.1mm	
Operating Force	160±50gf	250±100gf
Operating Life(cycles)	100,000	

5	CONTACT	PBS/SUS	1	Ag CLAD	WITHIN 1.5mm ±0.1
4	TERMINAL	BRASS STRIP	4	Ag PLATED	OVER 1.5mm ±0.2
3	CASE	NYLON	1	BLACK	
2	COVER	MILD STEEL	1	NI PLATED	
1	KNOB	NYLON	1	WHITE/BLACK	
NO.	PART NAME	MATERIAL	QTY.	FINISHING	

THESE DRAWINGS AND SPECIFICATIONS ARE THE PROPERTY OF ACCURATE INNOVATECH INC AND SHALL NOT BE REPRODUCED, COPIED OR USED IN ANY MANNER WITHOUT THE PRIOR WRITTEN CONSENT OF ACCURATE INNOVATECH INC.

UNITS	mm
MAT'L	SEE NOTE
FINISH	SEE NOTE
Q'TY	

东莞市腾兴电子有限公司

TITLE:	TACT SWITCH	PART NO.:	AT-1109U SERIES		
DR:	Ricky 2017/09/19	DWG NO.:	AZJ-1109U		
CHKD:	Ricky 2017/09/19	SCALE	SHEET	REV.	CUSTOMER DRAWING
APPD:		5:1	1/1	A	