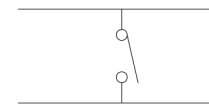
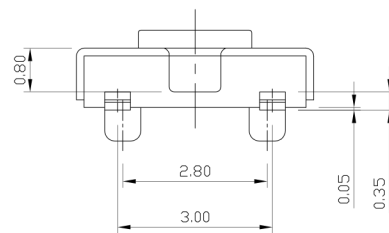
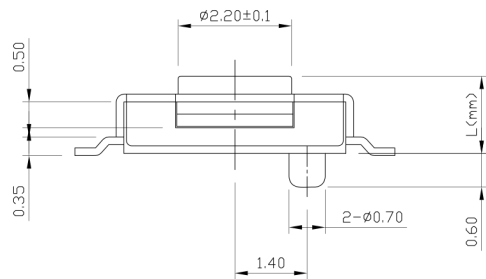




RoHS
Compliant
2002/95/EC

REV.	ECN. NO.	APPD.

DIMENSIONS



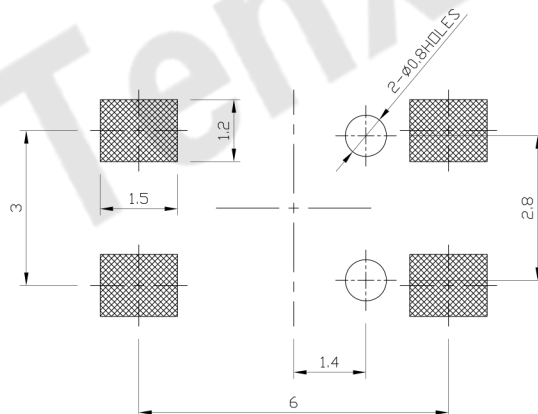
MODEL CODE

AT-1127E

L (mm)	
-	1.5
A	4.3

CIRCUIT DIAGRAM

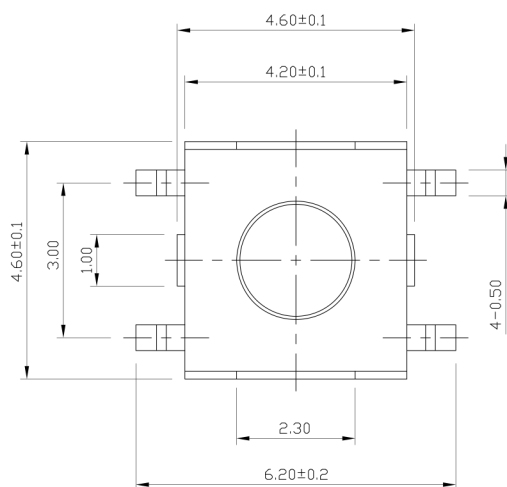
P.C.B MOUNTING PATTERN DIMENSION



ELECTRO-MECHANICAL CHARACTERISTICS

Refer to additional specifications

RATING	DC12V 50mA
CONTACT RESISTANCE	100mΩ MAX.
TRAVEL	0.2±0.1mm
OPERATING FORCE	180±50gf 250±50gf
OPERATING LIFE(cycles)	100,000



8					.X ±0.2	X. ±2'	UNITS	mm	东莞市腾兴电子有限公司 TITLE: TACT SWITCH PART NO.: AT-1127E SERIES DR: <i>Ricky</i> 2015/05/11 DWG NO.: AKS-1127E CHKD: <i>Ricky</i> 2015/05/11 APPD:			
7							MAT'L					
6							SEE NOTE					
5							FINISH					
4							SEE NOTE					
3							Q'TY					
2												
1												
NO.	PARTS	MATERIAL	Q'TY	FINISHING	THESE DRAWINGS AND SPECIFICATIONS ARE THE PROPERTY OF ACCURATE INNO TECH INC AND SHALL NOT BE REPRODUCED, COPIED OR USED IN ANY MANNER WITHOUT THE PRIOR WRITTEN CONSENT OF ACCURATE INNO TECH INC.				SCALE	SHEET	REV.	CUSTOMER DRAWING
1									8:1	1/1	A	