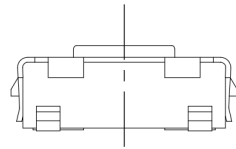
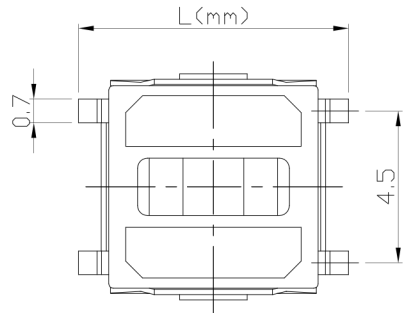
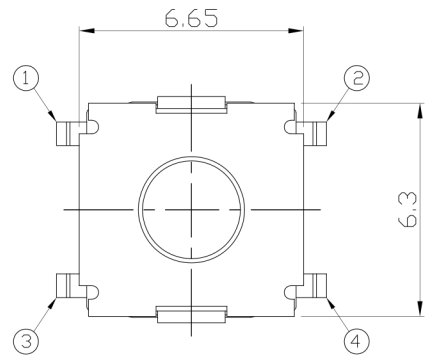
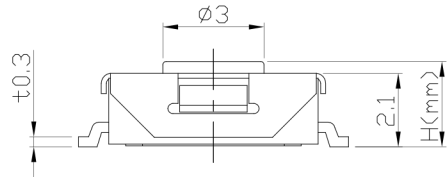




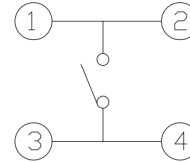
RoHS Compliant
2002/95/EC

REV.	ECN. NO.	APPD.

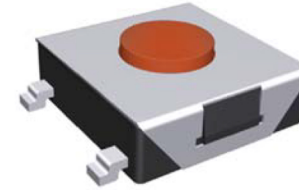
DIMENSIONS



CIRCUIT DIAGRAM



PRODUCT IMAGE

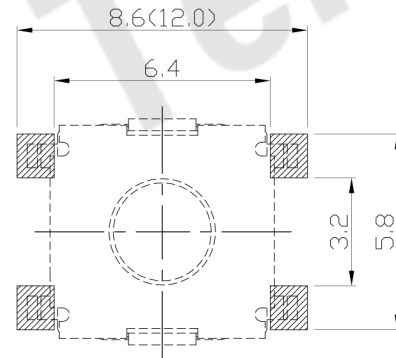


Knob Length

				ND
	L		H	
A	8	S	2.5	
B	10	B	2.7	
		H	3.1	
		Q	3.4	

P.C.B MOUNTING PATTERN DIMENSION

The following soldering patterns are recommended for reflow soldering



ELECTRO-MECHANICAL CHARACTERISTICS

Refer to additional specifications

Rating	DC 12V 50mA	
Contact Resistance	100m Ω Max.	
Travel	0.25 \pm 0.1mm	
Operating Force	100,130,160 \pm 30gf	250 \pm 50gf
Operating Life(cycles)	100,000	Phosphor Bronze
	200,000	Stainless Steel

.X \pm 0.3

X. \pm 2'

UNITS mm

MAT'L

SEE NOTE

FINISH

SEE NOTE

Q'TY



THESE DRAWINGS AND SPECIFICATIONS ARE THE PROPERTY OF ACCURATE INNOVATECH INC AND SHALL NOT BE REPRODUCED, COPIED OR USED IN ANY MANNER WITHOUT THE PRIOR WRITTEN CONSENT OF ACCURATE INNOVATECH INC.

东莞市腾兴电子有限公司

TITLE: TACT SWITCH

PART NO.:

DR: Ricky 2014/03/28

DWG NO.:

CHKD: Ricky 2014/03/28

APPD:

SCALE 1:1

SHEET 1/1

REV. A

CUSTOMER DRAWING