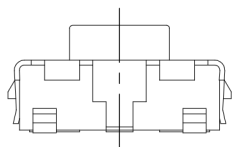
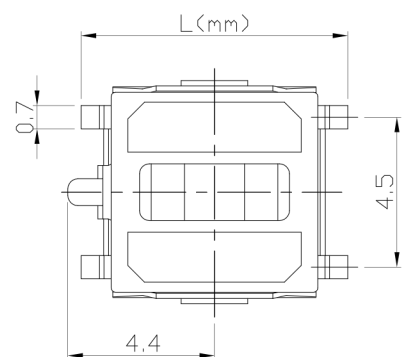
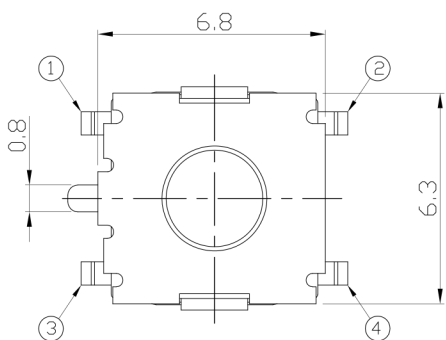
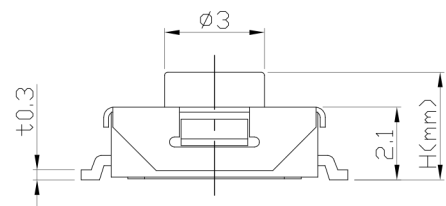




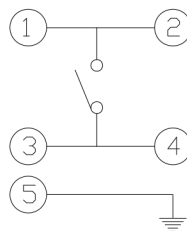
**RoHS Compliant**  
2002/95/EC

REV.	ECN. NO.	APPD.

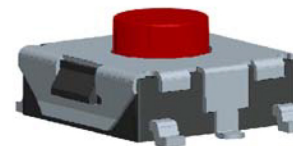
### DIMENSIONS



### CIRCUIT DIAGRAM



### PRODUCT IMAGE



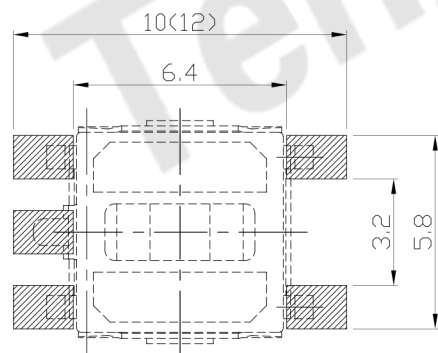
### MODEL CODE

AT-1157   NP

	L		H
A	8	S	2.5
B	10	B	2.7
		H	3.1
		Q	3.4

### P.C.B MOUNTING PATTERN DIMENSION

The following soldering patterns are recommended for reflow soldering



### ELECTRO-MECHANICAL CHARACTERISTICS

Refer to additional specifications

Rating	DC 12V 50mA		
Contact Resistance	100mΩ Max.		
Travel	0.25 ± 0.1mm		
Operating Force	100,130,160±30gf	250±50gf	
Operating Life(cycles)	100,000	Phosphor Bronze	
	200,000	Stainless Steel	

.X ±0.3	X. ±2'	UNITS mm
		MAT'L SEE NOTE
		FINISH SEE NOTE
		Q'TY
<small>THESE DRAWINGS AND SPECIFICATIONS ARE THE PROPERTY OF ACCURATE INNTECH INC AND SHALL NOT BE REPRODUCED, COPIED OR USED IN ANY MANNER WITHOUT THE PRIOR WRITTEN CONSENT OF ACCURATE INNTECH INC.</small>		

**东莞市腾兴电子有限公司**

TITLE: <b>TACT SWITCH</b>	PART NO.: AT-1157XXNP SERIES
DR: <i>Ricky</i> 2014/03/28	DWG NO.: ASI-1157XXNP
CHKD: <i>Ricky</i> 2014/03/28	SCALE SHEET REV. CUSTOMER DRAWING
APPD:	1:1 1/1 A