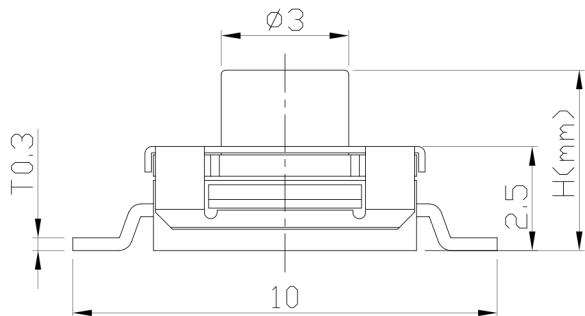




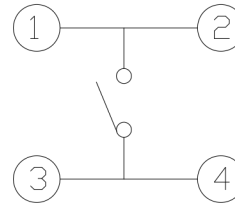
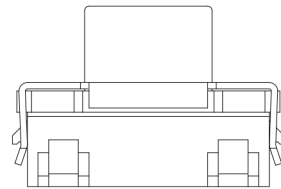
RoHS
Compliant
2002/95/EC

REV.	ECN.	NO.	APPD.

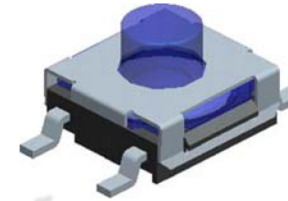
DIMENSIONS



CIRCUIT DIAGRAM



PRODUCT IMAGE



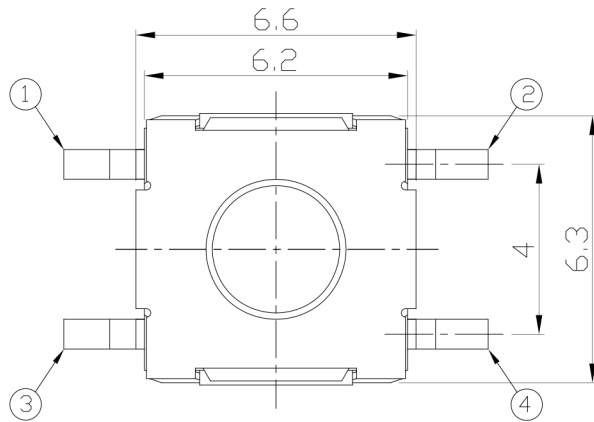
MODEL CODE

AT-1158S-

H	
-	3.4
A	4.0
B	4.3
C	5.0

P.C.B MOUNTING PATTERN DIMENSION

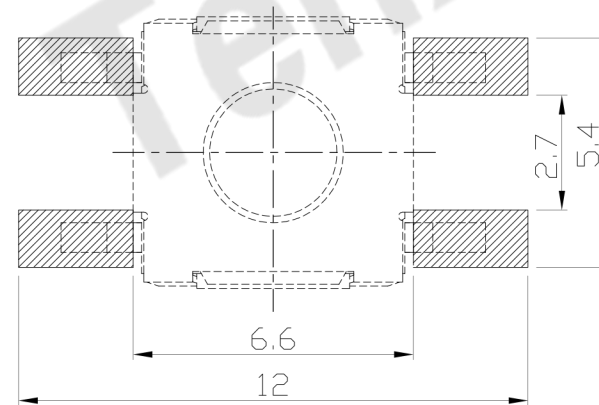
The following soldering patterns are recommended for reflow soldering



ELECTRO-MECHANICAL CHARACTERISTICS

Refer to additional specifications

Rating	DC 12V 50mA	
Contact Resistance	100mΩ Max.	
Travel	0.3 ± 0.2mm	
Operating Force	160±50gf	260±50gf
Operating Life(cycles)	100,000	



.X ±0.3	X. ±2'	UNITS mm
		MAT'L SEE NOTE
		FINISH SEE NOTE
		Q'TY

THESE DRAWINGS AND SPECIFICATIONS ARE THE PROPERTY OF ACCURATE INNOTECH INC AND SHALL NOT BE REPRODUCED, COPIED OR USED IN ANY MANNER WITHOUT THE PRIOR WRITTEN CONSENT OF ACCURATE INNOTECH INC.

东莞市腾兴电子有限公司			
TITLE: TACT SWITCH		PART NO.: AT-1158S SERIES	
DR: Ricky 2017/04/06		DWG NO.: ASI-1158S	
CHKD: Ricky 2017/04/06		SCALE	SHEET
APPD:		1:1	1/1
		REV. A	CUSTOMER DRAWING