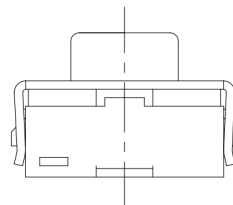
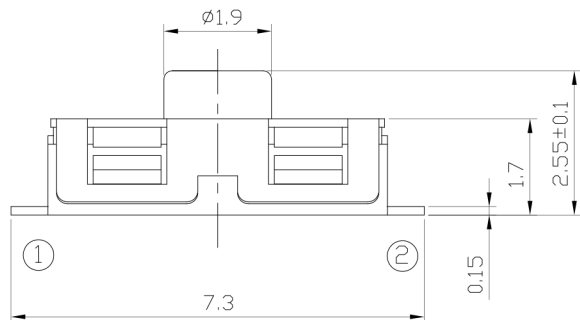




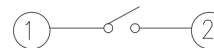
RoHS
Compliant
2002/95/EC

REV.	ECN. NO.	APPD.

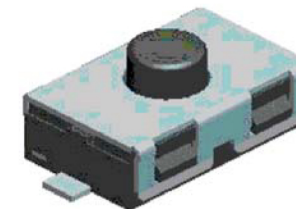
DIMENSIONS



CIRCUIT DIAGRAM

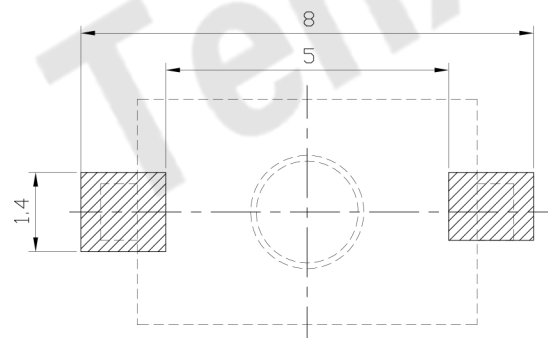
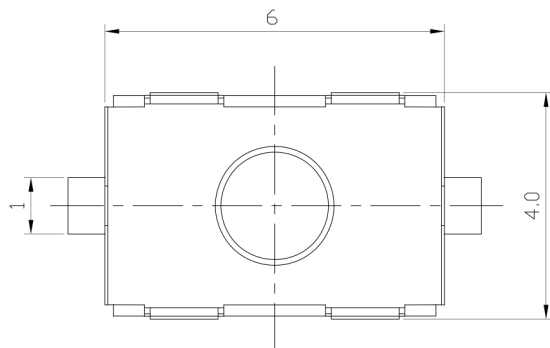


PRODUCT IMAGE



P.C.B MOUNTING PATTERN DIMENSION

The following soldering patterns are recommended for reflow soldering



ELECTRO-MECHANICAL CHARACTERISTICS

Refer to additional specifications

Rating	DC 12V 50mA	
Contact Resistance	100m Ω Max.	
Travel	0.5 \pm 0.2mm	
Operating Force	160 \pm 30gf	250 \pm 50gf
Operating Life(cycles)	100,000	50,000

.X \pm 0.2	X. \pm 2'	UNITS mm
		MAT'L SEE NOTE
		FINISH SEE NOTE
		Q'TY

THESE DRAWINGS AND SPECIFICATIONS ARE THE PROPERTY OF ACCURATE INNOTECH INC AND SHALL NOT BE REPRODUCED, COPIED OR USED IN ANY MANNER WITHOUT THE PRIOR WRITTEN CONSENT OF ACCURATE INNOTECH INC.

东莞市腾兴电子有限公司			
TITLE: TACT SWITCH		PART NO.: AT-1181GJ SERIES	
DR: <i>Ricky</i> 2017/04/06		DWG NO.: ASI-1181GJ	
CHKD: <i>Ricky</i> 2017/04/06		SCALE 1:1	SHEET 1/1
APPD:		REV. A	CUSTOMER DRAWING