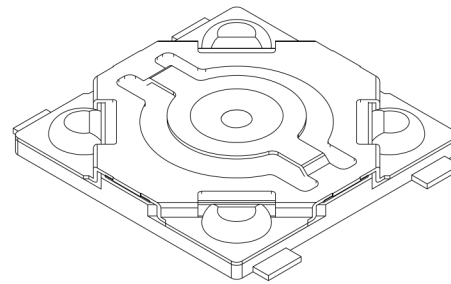
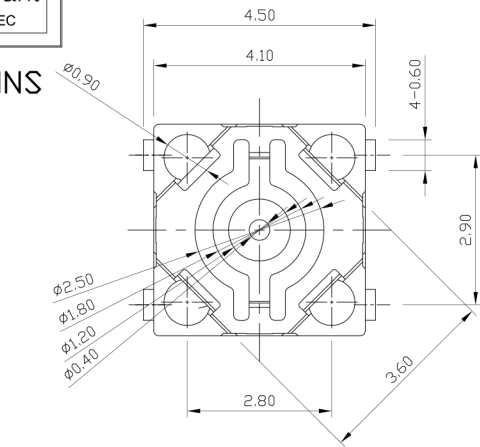




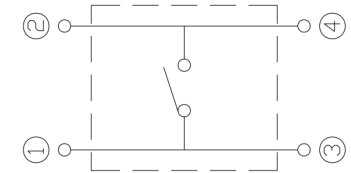
RoHS
Compliant
2002/95/EC

REV.	ECN. NO.	APPD.

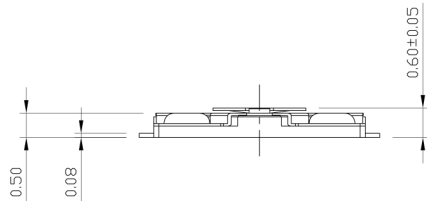
DIMENSIONS



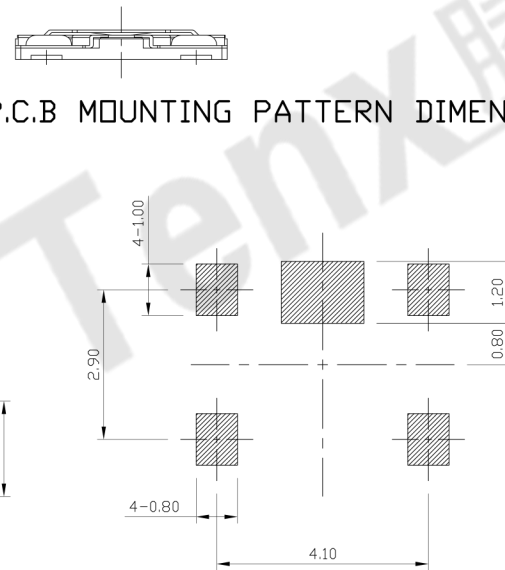
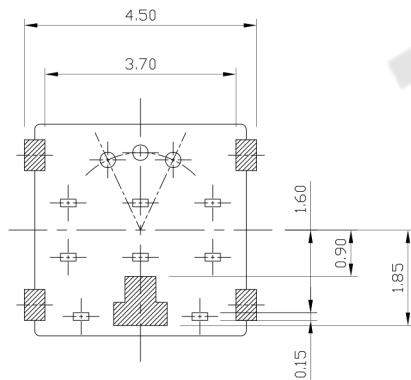
3D VIEW



CIRCUIT DIAGRAM



P.C.B MOUNTING PATTERN DIMENSION



ELECTRO-MECHANICAL CHARACTERISTICS

Refer to additional specifications

RATING	DC12V 50mA
CONTACT RESISTANCE	100mΩ MAX.
TRAVEL	0.2±0.1mm
OPERATING FORCE	180±50gf 250±50gf
OPERATING LIFE(cycles)	100,000

8					.X ±0.2	X. ±2'	UNITS	mm	东莞市腾兴电子有限公司 TITLE: TACT SWITCH PART NO.: AT-1182S SERIES DR: <i>Ricky</i> 2015/05/11 DWG NO.: AKS-1182S CHKD: <i>Ricky</i> 2015/05/11 APPD:			
7					.XX ±0.1		MAT'L					
6							SEE NOTE					
5							FINISH					
4							SEE NOTE					
3							Q'TY					
2												
1												
NO.	PARTS	MATERIAL	Q'TY	FINISHING	THESE DRAWINGS AND SPECIFICATIONS ARE THE PROPERTY OF ACCURATE INNTECH INC AND SHALL NOT BE REPRODUCED, COPIED OR USED IN ANY MANNER WITHOUT THE PRIOR WRITTEN CONSENT OF ACCURATE INNTECH INC.				SCALE	SHEET	REV.	CUSTOMER DRAWING
1											5:1	1/1