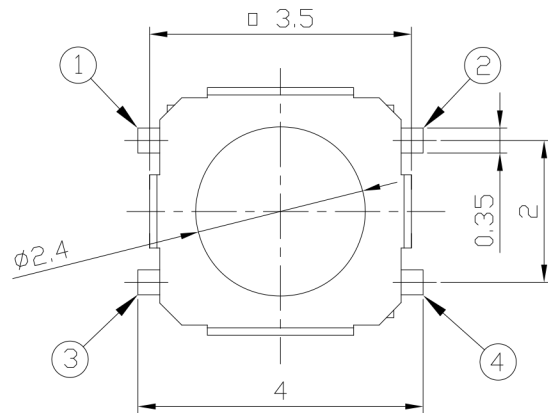




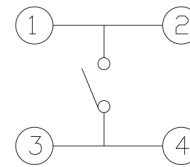
**RoHS Compliant**  
2002/95/EC

REV.	ECN. NO.	APPD.

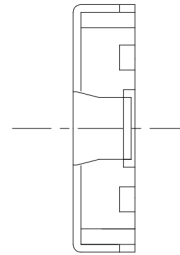
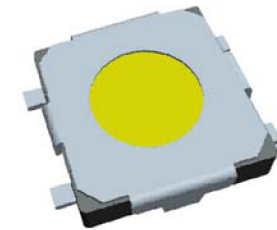
### DIMENSIONS



### CIRCUIT DIAGRAM

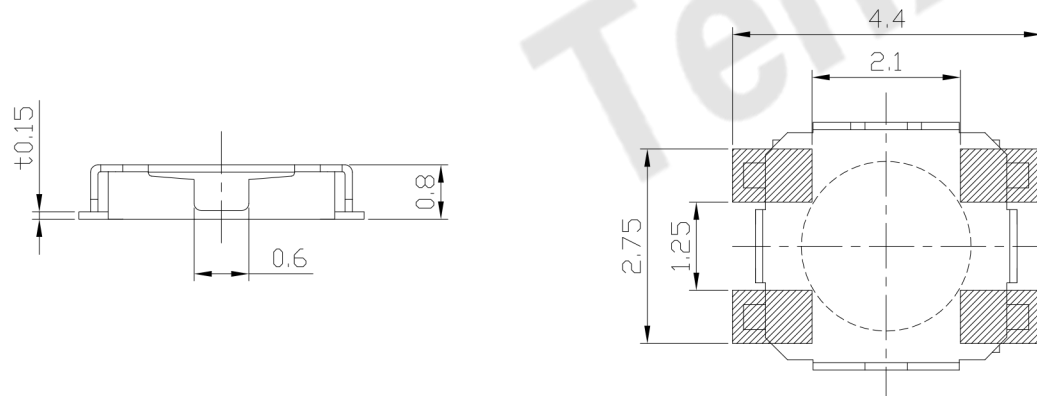


### PRODUCT IMAGE



### P.C.B MOUNTING PATTERN DIMENSION

The following soldering patterns are recommended for reflow soldering



### ELECTRO-MECHANICAL CHARACTERISTICS

Refer to additional specifications

Rating	DC 12V 50mA	
Contact Resistance	100mΩ Max.	
Travel	0.15 ± 0.1mm	
Operating Force	160±30gf	250±50gf
Operating Life(cycles)	100,000	

.X ±0.2 X. ±2'

UNITS mm

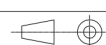
MAT'L

SEE NOTE

FINISH

SEE NOTE

Q'TY



**东莞市腾兴电子有限公司**

TITLE:  
**TACT SWITCH**

PART NO.:  
AT-1184N SERIES

DR: *Ricky* 2014/03/28

DWG NO.:  
ASI-1184N

CHKD: *Ricky* 2014/03/28

APPD:

SCALE	SHEET	REV.	CUSTOMER DRAWING
1:1	1/1	A	

THESE DRAWINGS AND SPECIFICATIONS ARE THE PROPERTY OF ACCURATE INNOTECH INC AND SHALL NOT BE REPRODUCED, COPIED OR USED IN ANY MANNER WITHOUT THE PRIOR WRITTEN CONSENT OF ACCURATE INNOTECH INC.