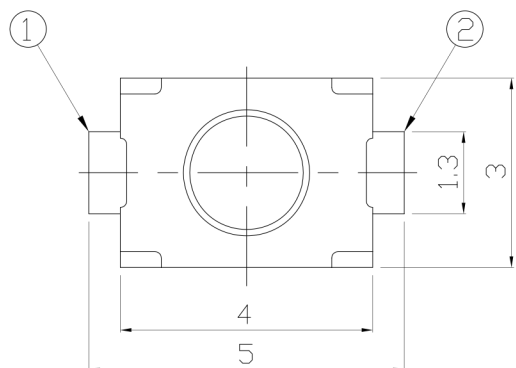
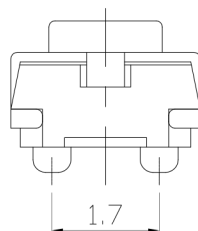
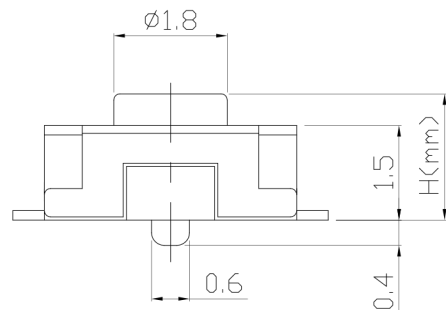




RoHS  
Compliant  
2002/95/EC

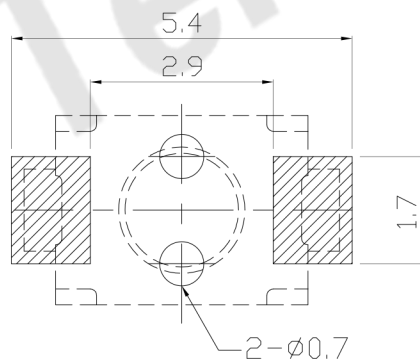
REV.	ECN.	NO.	APPD.

### DIMENSIONS



### P.C.B MOUNTING PATTERN DIMENSION

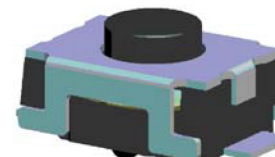
The following soldering patterns are recommended for reflow soldering



### CIRCUIT DIAGRAM



### PRODUCT IMAGE



### MODEL CODE

AT-1185AP2-

	H
-	1.8
A	2.0
B	2.5
D	7.0

### ELECTRO-MECHANICAL CHARACTERISTICS

Refer to additional specifications

Rating	DC 12V 50mA	
Contact Resistance	100mΩ Max.	
Travel	0.15 ± 0.1mm	
Operating Force	160±30gf	250±50gf
Operating Life(cycles)	100,000	

.X ±0.3	X. ±2'	UNITS mm
		MAT'L SEE NOTE
		FINISH SEE NOTE
		Q'TY
		⊕

THESE DRAWINGS AND SPECIFICATIONS ARE THE PROPERTY OF ACCURATE INNOTECH INC AND SHALL NOT BE REPRODUCED, COPIED OR USED IN ANY MANNER WITHOUT THE PRIOR WRITTEN CONSENT OF ACCURATE INNOTECH INC.

东莞市腾兴电子有限公司

TITLE: <b>TACT SWITCH</b>	PART NO.: AT-1185AP2 SERIES
DR: <i>Ricky</i> 2014/03/28	DWG NO.: ASI-1185AP2
CHKD: <i>Ricky</i> 2014/03/28	SCALE SHEET REV. CUSTOMER DRAWING
APPD:	1:1 1/1 A