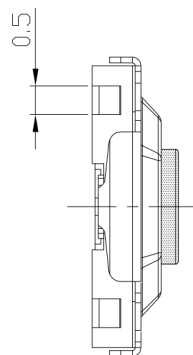
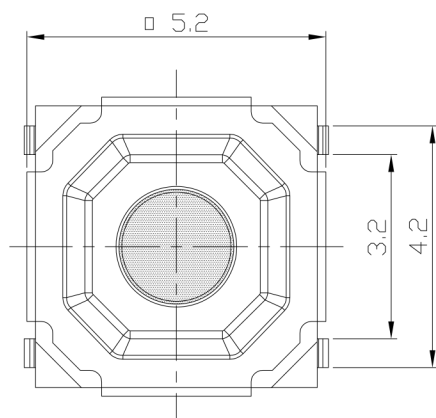




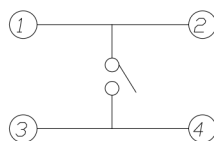
RoHS Compliant
2002/95/EC

REV.	ECN.	NO.	APPD.

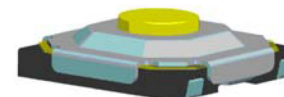
DIMENSIONS



CIRCUIT DIAGRAM



PRODUCT IMAGE



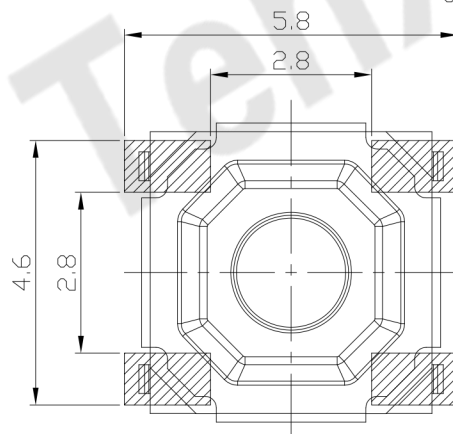
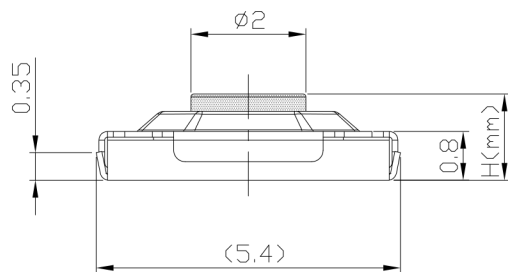
MODEL CODE

AT-1187U-

	H
-	1.5
A	4.3
B	1.7
C	1.6
D	2.3
E	3.0

P.C.B MOUNTING PATTERN DIMENSION

The following soldering patterns are recommended for reflow soldering



ELECTRO-MECHANICAL CHARACTERISTICS

Refer to additional specifications

Rating	DC 12V 50mA	
Contact Resistance	100mΩ Max.	
Travel	0.25 ± 0.1mm	
Operating Force	160±30gf	250±50gf
Operating Life(cycles)	100,000	

.X ±0.2	X. ±2'	UNITS mm
		MAT'L SEE NOTE
		FINISH SEE NOTE
		Q'TY
<small>THESE DRAWINGS AND SPECIFICATIONS ARE THE PROPERTY OF ACCURATE INNOTECH INC AND SHALL NOT BE REPRODUCED, COPIED OR USED IN ANY MANNER WITHOUT THE PRIOR WRITTEN CONSENT OF ACCURATE INNOTECH INC.</small>		

东莞市腾兴电子有限公司

TITLE: TACT SWITCH		PART NO.: AT-1187U SERIES	
DR: Ricky 2014/03/31		DWG NO.: ASI-1187U	
CHKD: Ricky 2014/03/31		SCALE 1:1	SHEET 1/1
APPD:		REV. A	CUSTOMER DRAWING