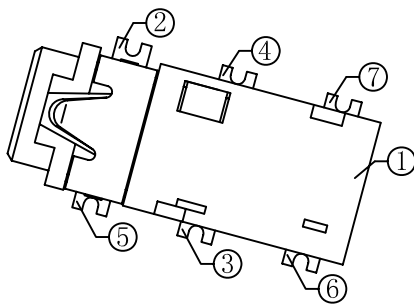


P. C. B Layout
(Copper-sided view)



Ordering information:

TPJ-2A51A - □ 9T 0A G 00 1

(1) (2) (3) (4) (5) (6) (7)

- (1): Series No.
- (2): Schematic option: I, J, M, A, D
- (3): Material of housing:
9T=PA9T
- (4): Housing color:
Zero 0A=Black
- (5): Terminal plating:
G=Gold(Au)
- (6): Special option:
00=No special option
- (7): Packing mode:
1=Tape reel packing

Model No.	TPJ-2A51A-I	TPJ-2A51A-J	TPJ-2A51A-M	TPJ-2A51A-A	TPJ-2A51A-D
Schematic code					

□: Terminal No.

SPECIFICATION

1. Rating : DC 12V 1A;
2. Contact resistance: ≤50mΩ;
3. Insulation resistance: ≥100MΩ (DC250V);
4. Withstand voltage: 500VAC ;
5. Insertion and extraction force: 3-25N;
6. life test: 5000 cycles.

⑦	Shunt terminal	⑥	1	Phosphor bronze 0.2t	TPJ-2A51A-06	Gold flash
⑥	Shunt terminal	⑤	1	Phosphor bronze 0.2t	TPJ-2A51A-05	Gold flash
⑤	Ring spring	④	1	Phosphor bronze 0.2t	TPJ-2A51A-04	Gold flash
④	Ring spring	③	1	Titanium copper 0.2t	TPJ-2A51A-03	Gold flash
③	Tip spring	②	1	Titanium copper 0.2t	TPJ-2A51A-02	Gold flash
②	Earth spring	①	1	Stainless steel 0.2t	TPJ-2A51A-01	Gold flash
①	Housing		1	PA9T,UL 94V-0	TPJ-2A51A-S1	
NO.	DESCRIPTION	QTY		MATERIAL	PART NO.△	PLATING

TENGXING ELECTRONICS CO.,LTD

TOLERANCES UNLESS OTHERWISE SPECIFIED		SIGNATURES		DATE	TITLE
LINEAR: ±0.00 ANGULAR: ±3°		DRAWN Andy		2009.06.25	EARPHONE JACK
REVISIONS	SCALE	CHK'D Alex		NO.	TPJ-2A51A
A	5/1	APPV'D Rex		2009.06.25	

△			
△			
△			
△			
△			
SYM	DISCRIPTION	DATE	APPROVED