

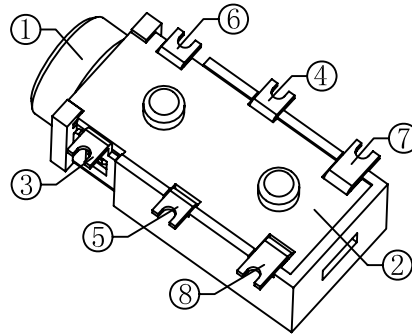
Ordering information:  
 TPJ-2A51D - □ 9T 0A G 00 1  
 (1) (2) (3) (4) (5) (6) (7)  
 (1): Series No.  
 (2): Schematic option: I, J, M, A, D  
 (3): Material of housing:  
 9T=PA9T  
 (4): Housing color:  
 Zero 0A=Black  
 (5): Terminal plating:  
 G=Gold (Au)  
 (6): Special option:  
 00=No special option  
 (7): Packing mode:  
 1=Tape reel packing

Model No.	TPJ-2A51D-I	TPJ-2A51D-J	TPJ-2A51D-M	TPJ-2A51D-A	TPJ-2A51D-D
Schematic code					

□: Terminal No.

### SPECIFICATION

- Rating : DC 12V 1A;
- Contact resistance:  $\leq 50m\Omega$ ;
- Insulation resistance:  $\geq 100M\Omega$  (DC250V);
- Withstand voltage: 500VAC ;
- Insertion and extraction force: 3-25N;
- life test: 5000 cycles.



⑧	Shunt terminal	⑥	1	Phosphor bronze 0.2t	TPJ-2A51B-06	Gold flash
⑦	Shunt terminal	⑤	1	Phosphor bronze 0.2t	TPJ-2A51B-05	Gold flash
⑥	Ring spring	④	1	Phosphor bronze 0.2t	TPJ-2A51D-04	Gold flash
⑤	Ring spring	③	1	Beryllium copper 0.2t	TPJ-2A51B-03	Gold flash
④	Tip spring	②	1	Beryllium copper 0.2t	TPJ-2A51B-02	Gold flash
③	Earth spring	①	1	Stainless steel 0.2t	TPJ-2A51B-01	Gold flash
②	Cover		1	LCP,UL 94V-0	TPJ-2A51B-S2	
①	Housing		1	PA9T,UL 94V-0	TPJ-2A51B-S1	
NO.	DESCRIPTION	QTY		MATERIAL	PART NO.	PLATING

## TENGXING ELECTRONICS CO.,LTD

TOLERANCES UNLESS  
OTHERWISE SPECIFIED  
LINEAR:  $\pm 0.1$  ANGULAR:  $\pm 3^\circ$

SIGNATURES

DATE

TITLE

EARPHONE JACK

REVISIONS



SCALE

5/1

CHK'D

Alex

2009.08.17

NO.

TPJ-2A51D

APPV'D

Rex

2009.08.17

△			
△			
△			
△			
△			
SYM	DISCRIPTION	DATE	APPROVED