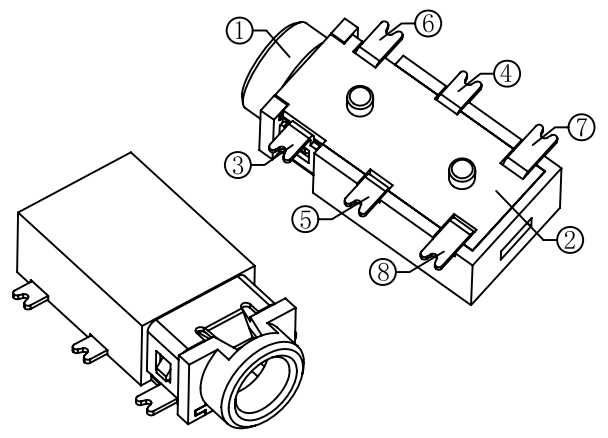


RECOMMENDED P. C. B. LAYOUT
UNSPECIFIED TOLERANCE: ±0.05
(COPPER-SIDED VIEW)

Ordering information:
 TPJ-2A51E - □ 9T 0A G 00 1
 (1) (2) (3) (4) (5) (6) (7)
 (1):Series No.
 (2):Schematic option:I, J, M, A, D
 (3):Material of housing:
 9T=PA9T
 (4):Housing color:
 Zero 0A=Black
 (5):Terminal plating:
 G=Gold(Au)
 (6):Special option:
 00=No special option
 (7):Packing mode:
 1=Tape reel packing

Model No.	TPJ-2A51E-I	TPJ-2A51E-J	TPJ-2A51E-M	TPJ-2A51E-A	TPJ-2A51E-D
Schematic code					

Specification:
 1. Rating : DC 12V 1A;
 2. Contact resistance: ≤50mΩ;
 After test: ≤100mΩ
 3. Insulation resistance: ≥100MΩ (500VDC);
 After test: ≥50MΩ
 4. Withstand voltage: 500VAC ;
 5. Insertion and extraction force: 3N~25N;
 6. life test: 5000cycles min;
 7. Operation temperature range: -20℃~70℃;
 8. Preservation temperature range: -40℃~85℃;
 9. Sign"▲ "is importance dimension;



⑧	Shunt terminal	⑥	1	Phosphor bronze 0.2t	TPJ-2A51B-06	Gold flash
⑦	Shunt terminal	⑤	1	Phosphor bronze 0.2t	TPJ-2A51B-05	Gold flash
⑥	Ring spring	④	1	Phosphor bronze 0.2t	TPJ-2A51B-04	Gold flash
⑤	Ring spring	③	1	Beryllium bronze 0.2t	TPJ-2A51B-03	Gold flash
④	Tip spring	②	1	Beryllium bronze 0.2t	TPJ-2A51B-02	Gold flash
③	Earth spring	①	1	Stainless steel 0.2t	TPJ-2A51B-01	Gold flash
②	Cover		1	LCP,UL 94V-0	TPJ-2A51E-S2	
①	Housing		1	PA9T,UL 94V-0	TPJ-2A51B-S1	
NO.	DESCRIPTION	QTY		MATERIAL	PART NO.▲	PLATING

TENGXING ELECTRONICS CO.,LTD

TOLERANCES UNLESS OTHERWISE SPECIFIED LINEAR: ±0.003 ANGULAR: ±3°		SIGNATURES		DATE	TITLE
REVISIONS		CHK'D	Michael	2010.12.13	EARPHONE JACK
A		APPV'D	Alex	2010.12.13	
SCALE 5/1		Rex		2010.12.13	
					NO.
					TPJ-2A51E

△			
△			
△			
△			
△			
SYM	DISCIPTION	DATE	APPROVED
1			
2			
3			
4			
5			