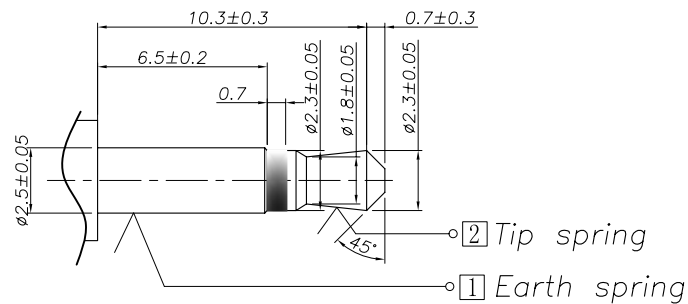


RECOMMENDED P. C. B. LAYOUT
UNSPECIFIED TOLERANCE: ± 0.05
(COPPER-SIDED VIEW)

Specification:

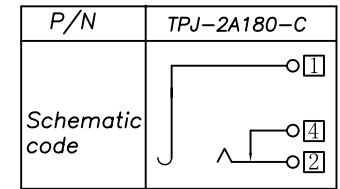
- Rating : DC 30V 0.5A;
- Contact resistance: $\leq 30m\Omega$;
After life test: $\leq 50m\Omega$
- Insulation resistance: $\geq 100M\Omega$ (500VDC);
After life test: $\geq 50M\Omega$
- Withstand voltage: 500VAC ;
- Insertion and extraction force: 3N~30N;
- life test: 5000cycles min;
- Operation temperature range: $-20^{\circ}C \sim 70^{\circ}C$
- Preservative temperature range: $-40^{\circ}C \sim 85^{\circ}C$
- Sign"▲ "is importance dimension.



Matching Plug

Ordering information:
TPJ-2A180- C 9T 0A G 00 1
(1) (2) (3) (4) (5) (6) (7)

- Series No.
- Schematic option: C
- Material of housing:
9T=PA9T (Standard)
- Housing color:
Zero 0A=Black (Standard)
- Terminal plating
G=Gold (Au) (Standard)
- Special option:
00=No special option
- Packing mode:
1=Tape reel packing



Circuit Diagram □ Terminal NO.

④	Shunt terminal	④	1	Phosohor bronze, 0.25t	TPJ-2A180-04(WP-706)	Gold:1u"Min
③	Tip spring	②	1	Phosohor bronze, 0.25t	TPJ-2A180-02(TP-707)	Gold:1u"Min
②	Earth spring	①	1	Phosohor bronze, 0.25t	TPJ-2A180-01(JA-709)	Gold:1u"Min
①	Housing		1	PA9T,UL94 V-0	TPJ-2A180-S1(ST-705)	Black
NO.	DESCRIPTION	QTY	MATERIAL	PART NO.	REMARK	

TENGXING ELECTRONICS CO.,LTD

TOLERANCES UNLESS OTHERWISE SPECIFIED LINEAR: ± 0.05 ANGULAR: $\pm 3^{\circ}$		SIGNATURES		DATE	TITLE
REVISIONS		APPV'D	CHK'D	DATE	NO.
A		Rex	Alex	2008.07.05	TPJ-2A180

△			
△			
△			
△			
△			
SYM	DISCIPTION	DATE	APPROVED