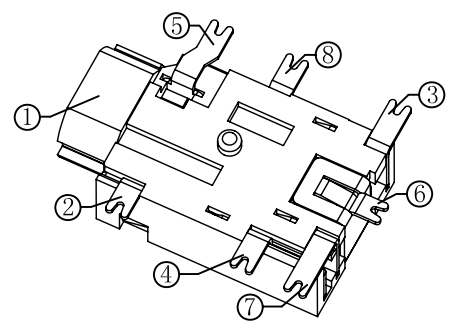
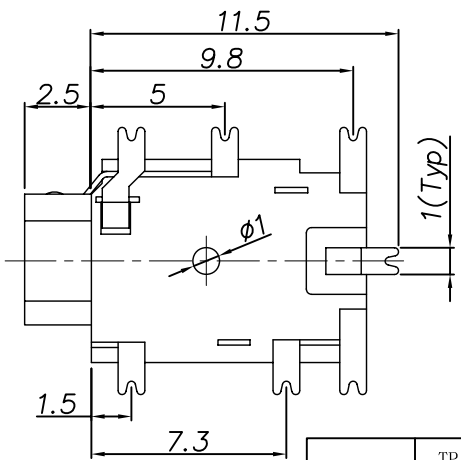


P. C. B Layout  
(Copper-sided view)



Ordering information:  
**TPJ-2A600** -         
 (1) (2) (3) (4) (5) (6) (7)  
 (1): Series No.  
 (2): Schematic option:  
 U, R, W, K, I, J, M  
 (3): Material of housing:  
 9T=PA9T  
 (4): Bushing or Housing color:  
 0A=Black 2\_=Red 3\_=Orange  
 4\_=Yellow 5\_=Green 6\_=Blue  
 (5): Terminal plating  
 S: Silver (Ag) T: Tin (Sn)  
 G: Gold (Au)  
 (6): Special option:  
 00: No special option  
 (7): Packing mode:  
 1: Tape reel packing  
 3: Plastic box packing  
 4: Bag packing

Model No.	TPJ-2A600-U	TPJ-2A600-R	TPJ-2A600-W	TPJ-2A600-K	TPJ-2A600-I	TPJ-2A600-J	TPJ-2A600-M
Schematic code							

Circuit Diagram : Terminal No. : Item No.

**SPECIFICATION**  
 1. Rating : DC 30V 0.5A;  
 2. Contact resistance: ≤30mΩ;  
 3. Insulation resistance: ≥100MΩ (DC250V);  
 4. Withstand voltage: 500VAC ;  
 5. Insertion and extraction force: 3-25N;  
 6. life test: 5000 cycles.

⑧	Earth terminal	1	C5210-H T=0.2	PJ20510-07(JA-1345)	Au-Plating
⑦	Shunt terminal	1	C2680-EH T=0.2	PJ20510-06(WP-1342)	Au-Plating
⑥	Shunt terminal	1	C2680-EH T=0.2	PJ20510-05(WP-1340)	Au-Plating
⑤	Ring spring	1	C5210-SH T=0.2	PJ20510-04(JA-1344)	Au-Plating
④	Ring spring	1	C5210-EH T=0.2	PJ20510-03(TP-1343)	Au-Plating
③	Tip spring	1	C5210-EH T=0.2	PJ20510-02(TP-1341)	Au-Plating
②	Earth spring	1	C5210-H T=0.2	PJ20510-01(ZT-1339)	Au-Plating
①	Housing	1	PA9T,UL94 V-0	PJ20510-S1(ST-1338)	Black
NO.	DESCRIPTION	QTY	MATERIAL	PART NO.	PLATING

**TENGXING ELECTRONICS CO.,LTD**

TOLERANCES UNLESS OTHERWISE SPECIFIED LINEAR: ±0.000 ANGULAR: ±3°		SIGNATURES		DATE	TITLE
REVISIONS		DRAWN		2008.08.07	EARPHONE JACK
A		CHK'D		2008.08.07	
SCALE		APPV'D		2008.08.07	
5/1		Michael			NO.
		Alex			TPJ-2A600
		Rex			

△			
△			
△			
△			
△			
SYM	DISCRIPTION	DATE	APPROVED
1			
2			
3			
4			
5			

A  
B  
C  
D  
E  
F  
G  
H

A  
B  
C  
D  
E  
F  
G  
H