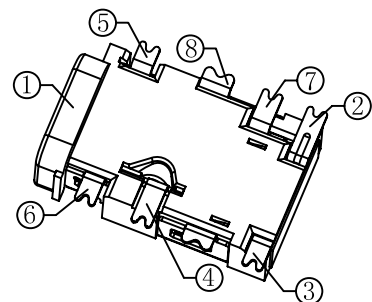
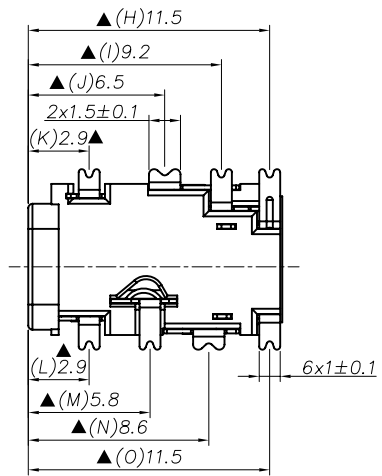
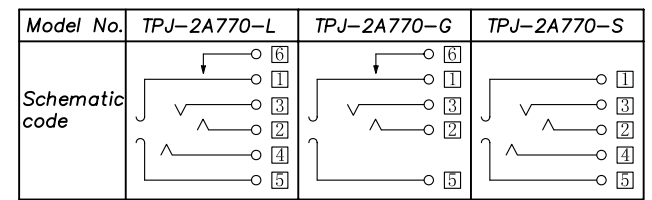


P. C. B Layout
(Copper-sided view)



Ordering information:
 TPJ-2A770 - □ 9T 0A G □ □ 1
 (1) (2) (3) (4) (5) (6) (7)
 (1):Series No.
 (2):Schematic option:L, G, S
 (3):Material of housing:
 9T=PA9T
 (4):Housing color:
 Zero 0A=Black
 (5):Terminal plating:
 G=Gold(Au)
 (6):Special option:
 00=No special option
 01=silk-screen of housing
 (7):Packing mode:
 1=Tape reel packing



Circuit Diagram □:Terminal NO.

SPECIFICATION

1. Rating : DC 30V 0.5A;
2. Contact resistance: ≤30mΩ;
3. Insulation resistance: ≥100MΩ (DC250V);
4. Withstand voltage: 500VAC ;
5. Insertion and extraction force: 3-25N;
6. life test: 5000 cycles;
7. Sign"▲" is importance dimension.

⑧ Shell	1	Phosphor Bronze 0.2t	PJ20680-W1	Misty Tin Plating	
⑦ Make terminal ⑥	1	Phosphor Bronze 0.2t	PJ20680-06	Gold Flash	
⑥ Earth terminal ⑤	1	Phosphor Bronze 0.2t	PJ20680-05	Gold Flash	
⑤ Ring spring ④	1	Phosphor Bronze 0.2t	PJ20680-04	Gold Flash	
④ Ring spring ③	1	Phosphor Bronze 0.2t	PJ20680-03	Gold Flash	
③ Tip spring ②	1	Phosphor Bronze 0.2t	PJ20680-02	Gold Flash	
② Earth spring ①	1	Phosphor Bronze 0.2t	PJ20680-01	Gold Flash	
① Housing	1	PA9T, UL 94V-0	PJ20680-S1		
NO.	DESCRIPTION	QTY	MATERIAL	PART NO.	REMARK

TENGXING ELECTRONICS CO.,LTD

TOLERANCES UNLESS OTHERWISE SPECIFIED LINEAR: ±0.08 ANGULAR: ±3°		SIGNATURES		DATE
REVISIONS		DRAWN	Andy	2009.08.01
A		CHK'D	Alex	2009.08.01
SCALE 5/1		APPV'D	Rex	2009.08.01
			NO.	TPJ-2A770

△			
△			
△			
△			
△			
SYM	DISCIPTION	DATE	APPROVED
1			
2			
3			
4			
5			
6			
7			
8			
9			
10			