

Ordering information:

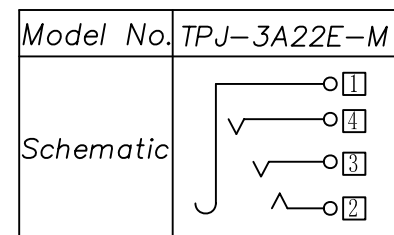
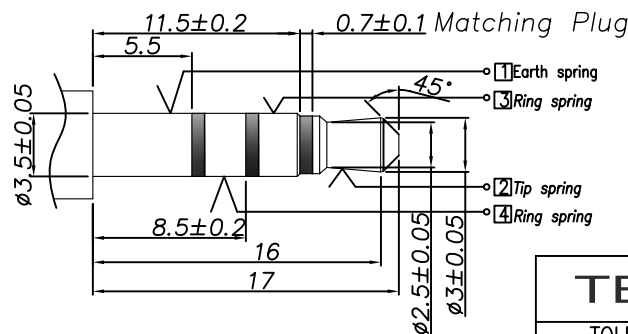
TPJ-3A22E-M 9T 0A S 00 1

(1) (2) (3) (4) (5) (6) (7)

- (1): Series No
- (2): Schematic option: M
- (3): Material of housing: 9T=PA9T
- (4): Housing color: 0A=Black
- (5): Terminal plating:  
S=Silver (Ag)
- (6): Special option:  
00=No special option
- (7): Packing mode:  
1=Reel packing

Specification:

1. Rating : DC 30V 0.5A;
  2. Contact resistance:  $\leq 50m\Omega$ ;  
After test:  $\leq 100m\Omega$
  3. Insulation resistance:  $\geq 100M\Omega$  (500VDC);  
After test:  $\geq 50M\Omega$
  4. Withstand voltage: 500VAC ;
  5. Insertion and extraction force: 3N~30N;
  6. life test: 5000cycles min;
  7. Operation temperature range: -20°C~70°C
  8. Preservative temperature range: -40°C~85°C
- Sign"▲" is importance dimension.



④	Ring spring	③	1	Stainless steel t=0.25	TPJ-3A22E-03	Silver plating
③	Tip spring	②	1	Stainless steel t=0.25	TPJ-3A22D-02	Silver plating
②	Earth spring	①&④	2	Stainless steel t=0.20	TPJ-3A22D-01	Silver plating
①	Housing		1	PA9T, UL94 V-0	TPJ-3A22B-S1	
NO.	DESCRIPTION	QTY	MATERIAL	PART NO.	PLATING	

TENGXING ELECTRONICS CO., LTD

TOLERANCES UNLESS OTHERWISE SPECIFIED LINEAR: $\pm 0.30$ ANGULAR: $\pm 3^\circ$	SIGNATURES		DATE	TITLE
	DRAWN	Amy	2010.08.11	EARPHONE JACK
	CHK'D	Alex	2010.08.11	NO.
REVISIONS	A	SCALE	5/1	TPJ-3A22E
		APPV'D	Rex	2010.08.11

△			
△			
△			
△			
△			
SYM	DISCIPTION	DATE	APPROVED
1			
2			
3			