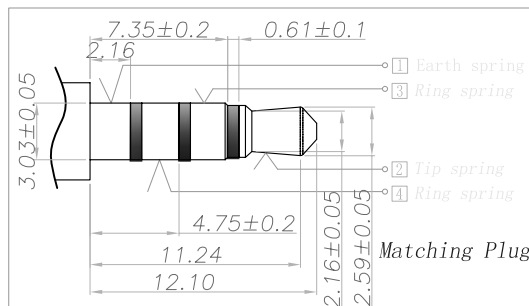
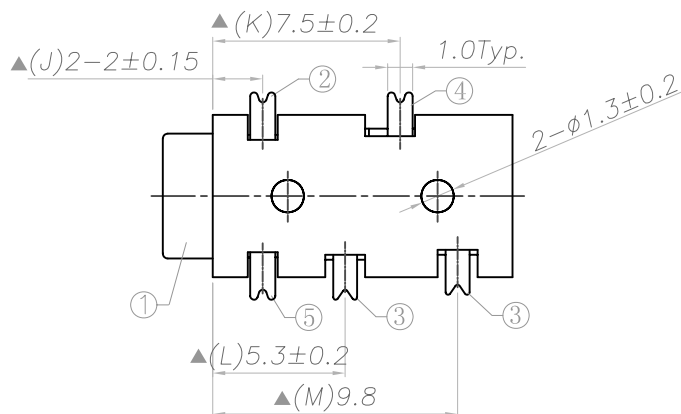


P. C. B Layout
(Copper-sided view)



Ordering information:
 TPJ-3A36F-□ 9T 0A S 00 1
 (1) (2) (3) (4) (5) (6) (7)

(1):Series No
 (2):Schematic option: S P D
 (3):Material of housing: 9T=PA9T
 (4):Housing color: 0A=Black
 (5):Terminal plating: S=Silver(Ag)
 (6):Special option:
 00=No special option
 (7):Packing mode:
 1=Reel packing

SPECIFICATION

- Rating : DC 30V 0.5A;
- Contact resistance: ≤50mΩ;
- Insulation resistance: ≥100MΩ (DC250V);
- Withstand voltage: 500VAC ;
- Insertion and extraction force: 3-30N;
- life test: 5,000 cycles;
- Sing"▲"is importance dimention.

Model No.	TPJ-3A36F-S	TPJ-3A36F-P	TPJ-3A36F-D
Schematic			

⑤	Ring spring	⑤	1	Phosphor bronze T=0.2	TPJ-3A36E-01 (TP-996)	Silver plating
④	Ring spring	④	1	Stainless steel T=0.25	TPJ-3A36F-04 (TP-1063)	Silver plating
③	Tip spring	③&②	2	Phosphor bronze T=0.2	TPJ-3A36C-01 (JA-648)	Silver plating
②	Earth spring	①	1	Phosphor bronze T=0.2	TPJ-3A36F-01 (TP-1062)	Silver plating
①	Housing		1	PA9T	TPJ-3A36F-S1 (共用ST-1061)	
NO.	DESCRIPTION	QTY	MATERIAL	PART NO.	PLATING	

TENGXING ELECTRONICS CO.,LTD

TOLERANCES UNLESS OTHERWISE SPECIFIED LINEAR: ±0.05 ANGULAR: ±3°		SIGNATURES		DATE	TITLE
REVISIONS		DRAWN	Eric	2009.05.13	EARPHONE JACK
A		CHK'D	Alex	2009.05.13	
		APPV'D	Rex	2009.05.13	
		SCALE	5/1		NO. TPJ-3A36F

△			
△			
△			
△			
△			
SYM	DISCRIPTION	DATE	APPROVED
1			
2			
3			