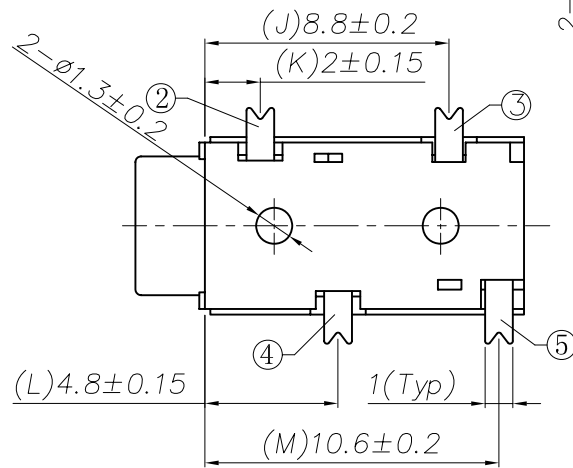
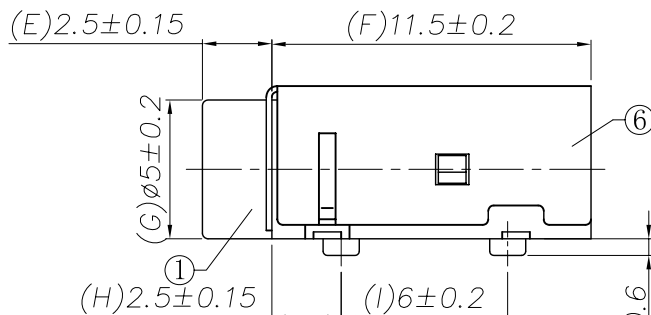


P. C. B Layout
(Copper-sided view)

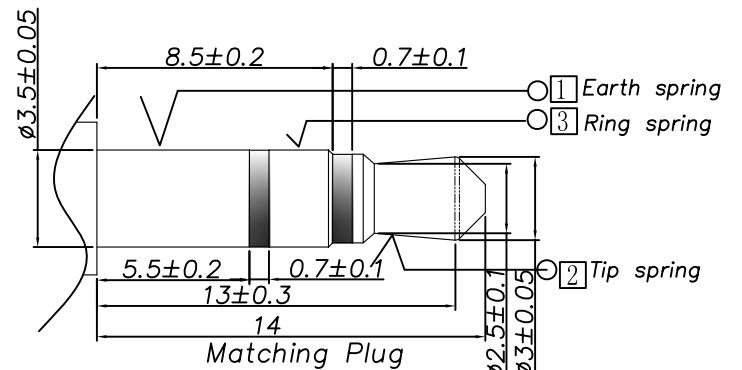


Ordering information:

TPJ-3A36H-□ 9T □ □ S 00 1

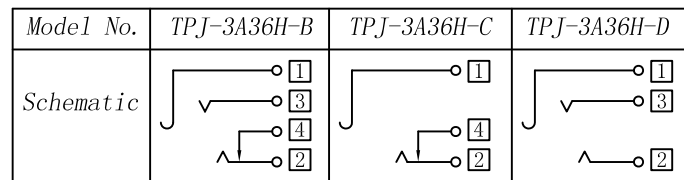
(1) (2) (3) (4) (5) (6) (7)

- (1): Series No
- (2): Schematic option: B C D
- (3): Material of housing: 9T=PA9T
- (4): Housing color: 0A=Black
2L=Pink (701C/405) 5G=Lime (577C/406)
- (5): Terminal plating: S:Silver (Ag)
- (6): Special option:
00: No special option
- (7): Packing mode:
1: Reel packing



SPECIFICATION

1. Rating : DC 30V 0.5A;
2. Contact resistance: $\leq 50\text{m}\Omega$;
3. Insulation resistance: $\geq 100\text{M}\Omega$ (DC250V);
4. Withstand voltage: 500VAC ;
5. Insertion and extraction force: 3-30N;
6. life test: 5000 cycles;
7. Sing"▲"is importance dimention.



Circuit Diagram □: Terminal No.

⑥	Shell	1	SUS301 t=0.2	TPJ-3A36H-W1(WK-1180)	Nickel plating	
⑤	Shunt terminal	④	1	Brass t=0.3	TPJ-3A36C-03(WP-646)	Silver plating
④	Ring spring	③	1	Phosphor bronze t=0.2	TPJ-3A36C-01(JA-648)	Silver plating
③	Tip spring	②	1	Beryllium bronze T=0.25	TPJ-3A36C-02(TP-647)	Silver plating
②	Earth spring	①	1	Phosphor bronze t=0.2	TPJ-3A36C-01(JA-648)	Silver plating
①	Housing		1	PA9T,UL94 V-0	TPJ-3A36H-S1(ST-1179)	
NO.	DESCRIPTION	QTY	MATERIAL	PART NO.	PLATING	

TENGXING ELECTRONICS CO.,LTD

TOLERANCES UNLESS OTHERWISE SPECIFIED LINEAR: ± 0.1 ANGULAR: $\pm 3^\circ$		SIGNATURES		DATE	TITLE
REVISIONS		DRAWN		2009.09.02	EARPHONE JACK
A		CHK'D		2009.09.02	
		APPV'D		2009.09.02	
SCALE		5/1		NO.	TPJ-3A36H

△			
△			
△			
△			
△			
SYM	DISCRIPTION	DATE	APPROVED
1			
2			
3			