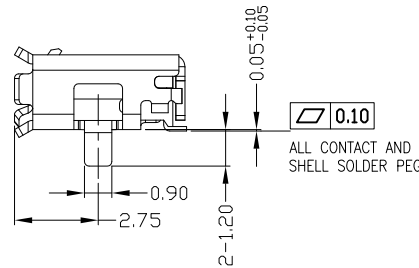
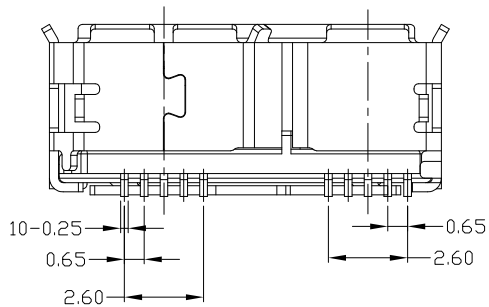
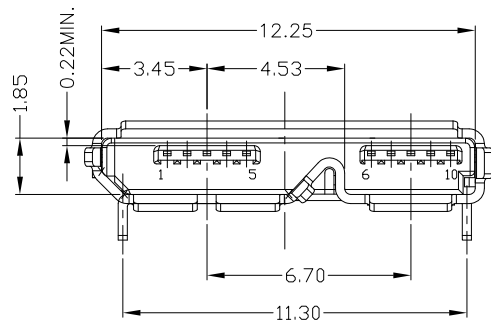
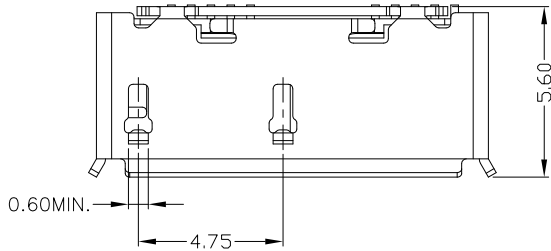




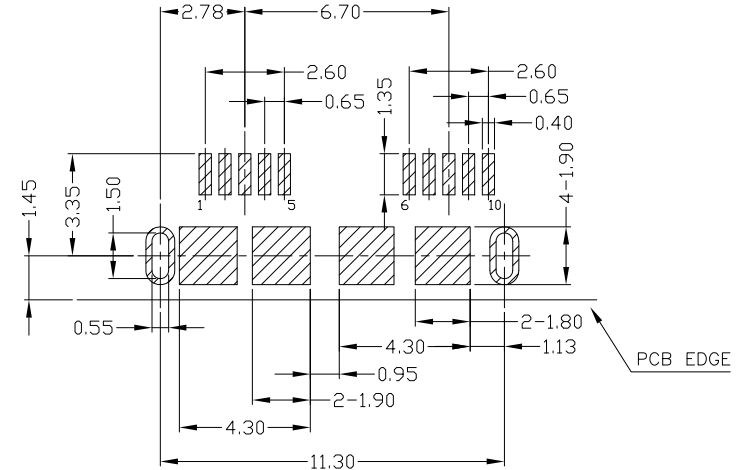
RoHS  
Compliant  
2002/95/EC

REV	LTR	DESCRIPTION	DATE	REVISER	APPD

PIN NUMBER	SIGNAL NAME
1	VBUS
2	D-
3	D+
4	ID
5	GND
6	MICB_SSTX-
7	MICB_SSTX+
8	GND_DRAIN
9	MICB_SSRX-
10	MICB_SSRX+
Shell	Shield



0.10  
ALL CONTACT AND  
SHELL SOLDER PEG



RECOMMENDED P.C.B LAYOUT

NOTES:

- ELECTRICAL:
  - VOLTAGE CURRENT RATING: 1AMP, 30V AC;
  - INSULATION RESISTANCE: 100MΩ MIN;
  - CONTACT RESISTANCE: 30mΩ MAX;
  - WITHSTANDING VOLTAGE: 500V AC;
  - OPERATING TEMPERATURE: -40°C TO +85°C.
- Mechanical:
  - Mating Force: 35N MAX
  - Unmating Force: 10N MIN.
- DIMENSIONS MARKED "▼" TO BE CHECKED BY Q.C & IPQC.

4. PART NO.

MUYF-10\*N-4BHW02  
 1:Au 1U"  
 5:Au 15U"  
 6:Au 30U"  
 W:WHITE  
 B:BLACK  
 1:PB  
 2:PA6T  
 3:PA9T  
 4:PC

Bill of materials:

NO	PARTS	MATERIAL	QTY	FINISHING	UNITS	mm	东莞市腾兴电子有限公司				
3	SHELL	STAINLESS STEEL	1	PLATED NICKEL	X. ±0.35	X.' ±2'	SEE NOTE	TITLE: MICRO USB 3.0 B TYPE F DIP SHELL脚长1.20MM脚距11.30MM PART NO.: MUYF-10*N-4BHW02 DR: gan 2017/08/06 DWG NO.: AII-HW02 CHKD: gan 2017/08/06 SCALE: 1:1 SHEET: 1/1 REV: B CUSTOMER DRAWING			
2	HOUSING	LCP+30%GF	1	UL94V-0	.X ±0.3	.X' ±1'					
1	TERMINAL	COPPER ALLOY	10	PLATED GOLD/TIN	.XXX ±0.15	.XXX'					
NO	PARTS	MATERIAL	QTY	FINISHING	THESE DRAWINGS AND SPECIFICATIONS ARE THE PROPERTY OF ACCURATE INNO TECH INC AND SHALL NOT BE REPRODUCED, COPIED OR USED IN ANY MANNER WITHOUT THE PRIOR WRITTEN CONSENT OF ACCURATE INNO TECH INC		Q'TY				