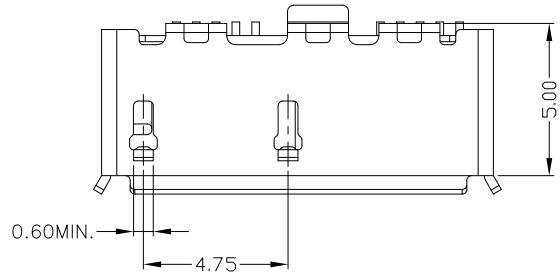


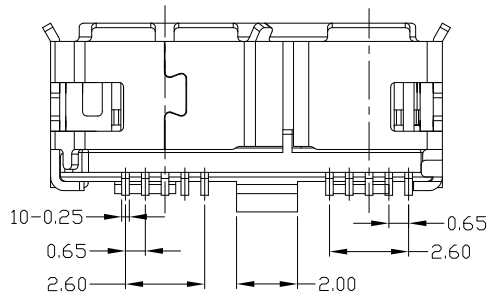
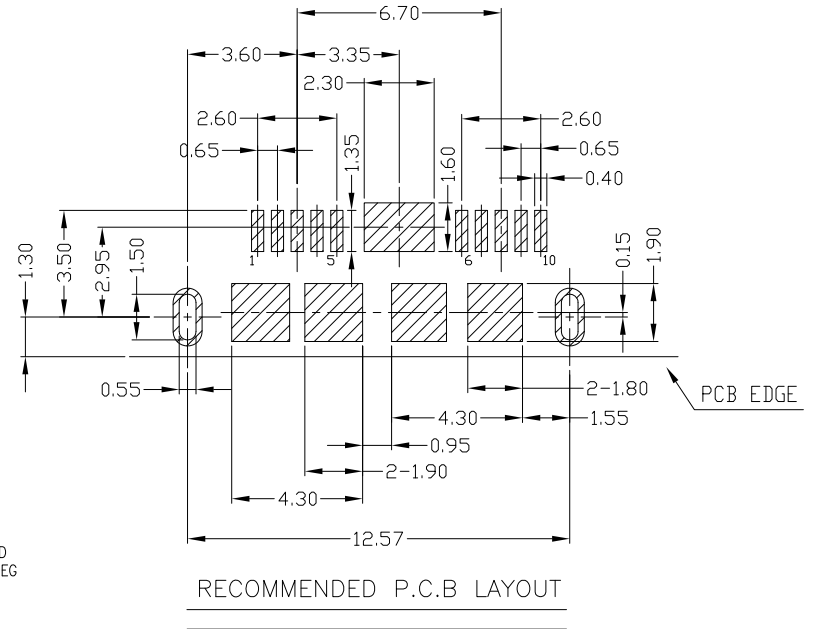
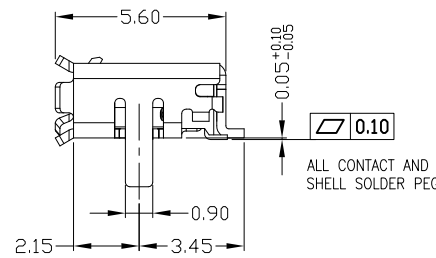
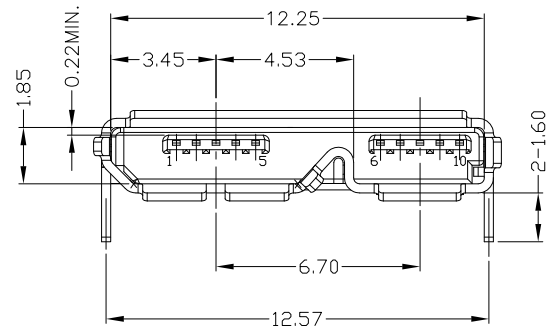


RoHS  
Compliant  
2002/95/EC

REV	LTR	DESCRIPTION	DATE	REVISER	APPD



PIN NUMBER	SIGNAL NAME
1	VBUS
2	D-
3	D+
4	ID
5	GND
6	MICB_SSTX-
7	MICB_SSTX+
8	GND_DRAIN
9	MICB_SSRX-
10	MICB_SSRX+
Shell	Shield



NOTES:

- ELECTRICAL:
  - VOLTAGE CURRENT RATING: 1AMP, 30V AC;
  - INSULATION RESISTANCE: 100MΩ MIN;
  - CONTACT RESISTANCE: 30mΩ MAX;
  - WITHSTANDING VOLTAGE: 500V AC;
  - OPERATING TEMPERATURE: -40°C TO +85°C.
- Mechanical:
  - Mating Force: 35N MAX
  - Unmating Force: 10N MIN.
- DIMENSIONS MARKED "▼" TO BE CHECKED BY Q.C & IPQC.

4. PART NO.

MUYF-10\*N-4BHW07  
 1:Au 1U"  
 5:Au 15U"  
 6:Au 30U"  
 W:WHITE  
 B:BLACK  
 1PBT  
 2PA6T  
 3PA9T  
 4LCP

Bill of materials:

NO	PARTS	MATERIAL	QTY	FINISHING	X. ±0.35	X.* ±2'	UNITS	东莞市腾兴电子有限公司			
3	SHELL	STAINLESS STEEL	1	PLATED NICKEL	.X ±0.3	.X' ±1'	mm	TITLE: MICRO USB 3.0 B TYPE F 带SMT型加强脚 脚长1.60MM脚距12.57MM PART NO.: MUYF-10*N-4BHW07 DR: gan 2017/08/06 DWG NO.: AII-HW07 CHKD: gan 2017/08/06 SCALE SHEET REV. CUSTOMER DRAWING 1:1 1/1 B			
2	HOUSING	LCP+30%GF	1	UL94V-0	.XX ±0.25	.XX'	MAT'L				
1	TERMINAL	COPPER ALLOY	10	PLATED GOLD/TIN	.XXX ±0.15	.XXX'	SEE NOTE				
THESE DRAWINGS AND SPECIFICATIONS ARE THE PROPERTY OF ACCURATE INNO TECH INC AND SHALL NOT BE REPRODUCED, COPIED OR USED IN ANY MANNER WITHOUT THE PRIOR WRITTEN CONSENT OF ACCURATE INNO TECH INC					Q'TY	SEE NOTE	FINISH	APPD:	DR: gan 2017/08/06 CHKD: gan 2017/08/06		