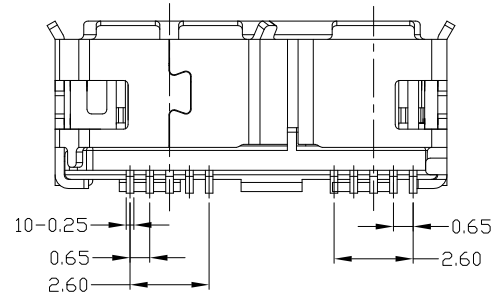
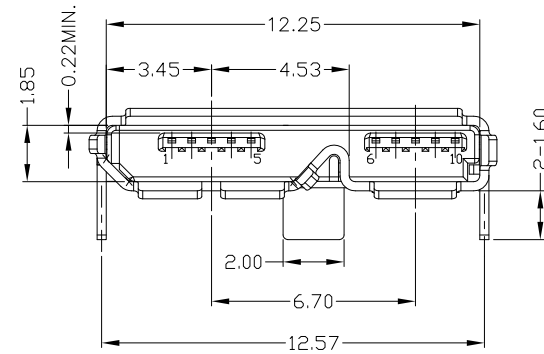
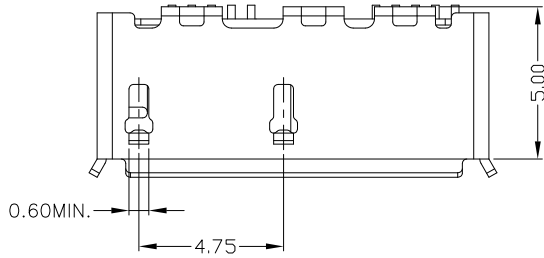


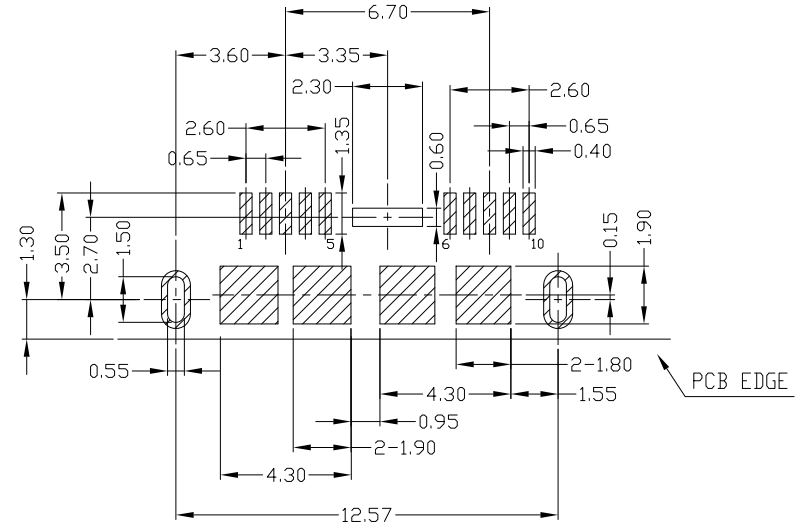
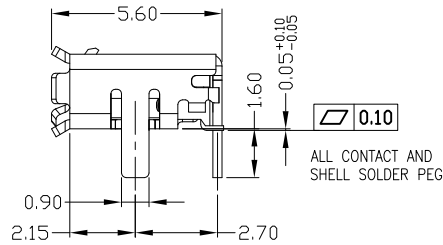


RoHS
Compliant
2002/95/EC

| REV | LTR | DESCRIPTION | DATE | REVISER | APPD |
|-----|-----|-------------|------|---------|------|
| | | | | | |



| PIN NUMBER | SIGNAL NAME |
|------------|-------------|
| 1 | VBUS |
| 2 | D- |
| 3 | D+ |
| 4 | ID |
| 5 | GND |
| 6 | MICB_SSTX- |
| 7 | MICB_SSTX+ |
| 8 | GND_DRAIN |
| 9 | MICB_SSRX- |
| 10 | MICB_SSRX+ |
| Shell | Shield |



RECOMMENDED P.C.B LAYOUT

NOTES:

- ELECTRICAL:
 - VOLTAGE CURRENT RATING: 1AMP, 30V AC;
 - INSULATION RESISTANCE: 100MΩ MIN;
 - CONTACT RESISTANCE: 30mΩ MAX;
 - WITHSTANDING VOLTAGE: 500V AC;
 - OPERATING TEMPERATURE: -40°C TO +85°C.
- Mechanical:
 - Mating Force: 35N MAX
 - Unmating Force: 10N MIN.
- DIMENSIONS MARKED "▼" TO BE CHECKED BY Q.C & IPQC.

4. PART NO.

MUYF-10*N-4BHW08
 1:Au 10"
 5:Au 15U"
 6:Au 30U"
 W:WHITE
 B:BLACK
 1PBT
 2FA6T
 3FA9T
 4LCP

Bill of materials:

| NO | PARTS | MATERIAL | QTY | FINISHING | UNITS | mm | 东莞市腾兴电子有限公司 | | | | | |
|----|----------|-----------------|-----|-----------------|--|---------|-------------|---|----------------------|-------------------------------|-----------------------------------|--|
| 3 | SHELL | STAINLESS STEEL | 1 | PLATED NICKEL | X. ±0.35 | X.' ±2' | SEE NOTE | TITLE: MICRO USB 3.0 B TYPE F 带DIP型加强脚 脚长1.60MM脚距12.57MM | | PART NO.: MUYF-10*N-4BHW08 | | |
| 2 | HOUSING | LCP+30%GF | 1 | UL94V-0 | .X ±0.3 | .X' ±1' | | DR: gan 2017/08/06 | DWG NO.: AII-HW08 | | SCALE SHEET REV. CUSTOMER DRAWING | |
| 1 | TERMINAL | COPPER ALLOY | 10 | PLATED GOLD/TIN | .XX ±0.25 | .XX' | | CHKD: gan 2017/08/06 | 1:1 | 1/1 | B | |
| | | | | | THESE DRAWINGS AND SPECIFICATIONS ARE THE PROPERTY OF ACCURATE INNO TECH INC AND SHALL NOT BE REPRODUCED, COPIED OR USED IN ANY MANNER WITHOUT THE PRIOR WRITTEN CONSENT OF ACCURATE INNO TECH INC | Q'TY | APPD: | | | | | |