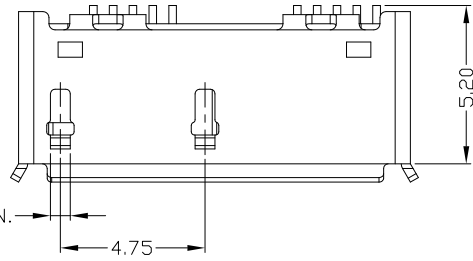


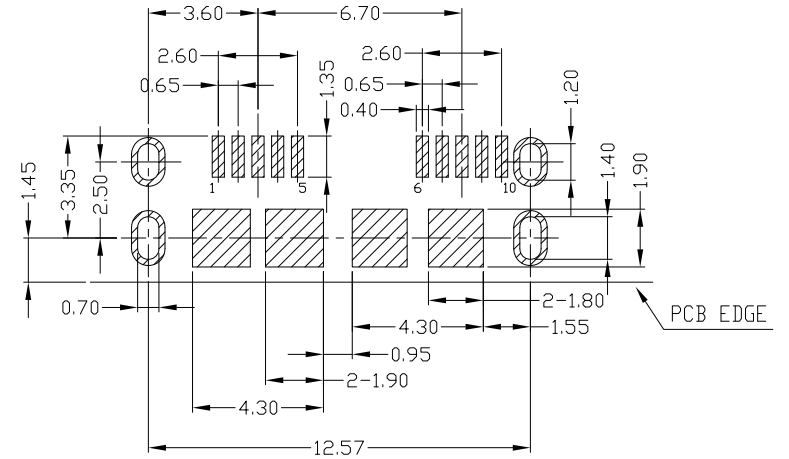


RoHS  
Compliant  
2002/95/EC

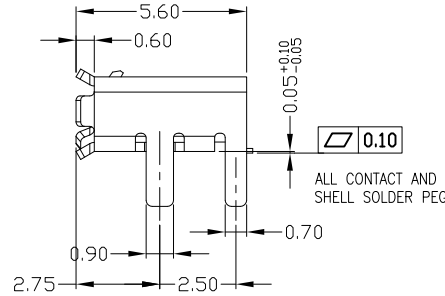
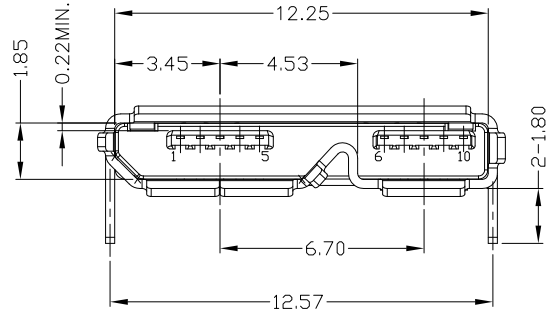
REV	LTR	DESCRIPTION	DATE	REVISER	APPD



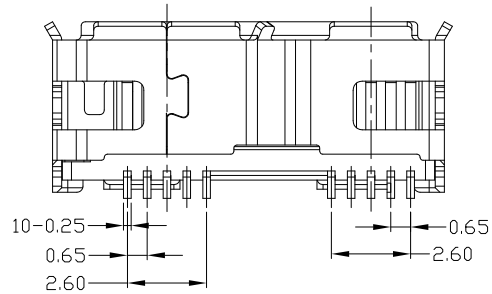
PIN NUMBER	SIGNAL NAME
1	VBUS
2	D-
3	D+
4	ID
5	GND
6	MICB_SSTX-
7	MICB_SSTX+
8	GND_DRAIN
9	MICB_SSRX-
10	MICB_SSRX+
Shell	Shield



RECOMMENDED P.C.B LAYOUT



ALL CONTACT AND SHELL SOLDER PEG



NOTES:

- ELECTRICAL:
  - VOLTAGE CURRENT RATING: 1AMP, 30V AC;
  - INSULATION RESISTANCE: 100MΩ MIN;
  - CONTACT RESISTANCE: 30mΩ MAX;
  - WITHSTANDING VOLTAGE: 500V AC;
  - OPERATING TEMPERATURE: -40°C TO +85°C.
- Mechanical:
  - Mating Force: 35N MAX
  - Unmating Force: 10N MIN.
- DIMENSIONS MARKED "▼" TO BE CHECKED BY Q.C & IPQC.

4. PART NO.

MUYF-10\*N-4BHW09  
 1: Au 10"  
 5: Au 15U"  
 6: Au 30U"  
 W: WHITE  
 B: BLACK  
 1PBT  
 2PA6T  
 3PA9T  
 4LCP

Bill of materials:

NO	PARTS	MATERIAL	QTY	FINISHING	UNITS	mm	东莞市腾兴电子有限公司					
3	SHELL	STAINLESS STEEL	1	PLATED NICKEL	X. ±0.35	X.' ±2'	SEE NOTE	TITLE: MICRO USB 3.0 B TYPE F 外壳四脚插板脚 长1.80MM脚距12.57MM		PART NO.: MUYF-10*N-4BHW09		
2	HOUSING	LCP+30%GF	1	UL94V-0	.X ±0.3	.X' ±1'						
1	TERMINAL	COPPER ALLOY	10	PLATED GOLD/TIN	.XXX ±0.15	.XXX'						
NO	PARTS	MATERIAL	QTY	FINISHING	THESE DRAWINGS AND SPECIFICATIONS ARE THE PROPERTY OF ACCURATE INNTECH INC AND SHALL NOT BE REPRODUCED, COPIED OR USED IN ANY MANNER WITHOUT THE PRIOR WRITTEN CONSENT OF ACCURATE INNTECH INC		SEE NOTE	DR: gan 2017/08/06	CHKD: gan 2017/08/06	DWG NO.: AII-HW09		
							Q'TY	APPD:	SCALE	SHEET	REV.	CUSTOMER DRAWING
									1:1	1/1	B	