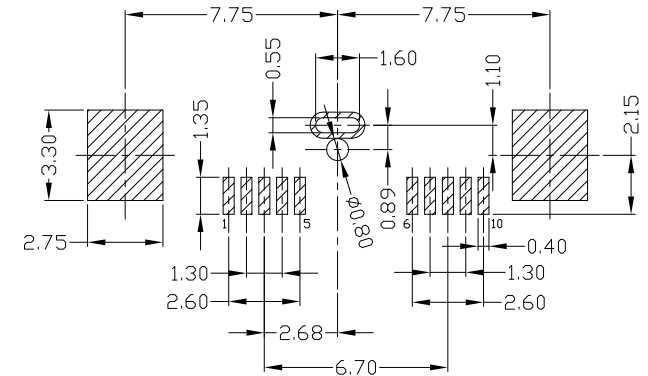
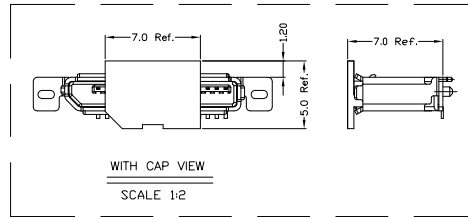
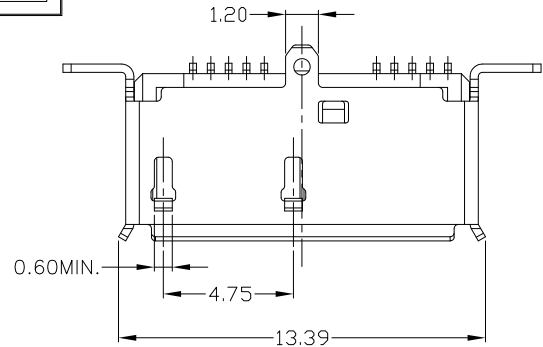


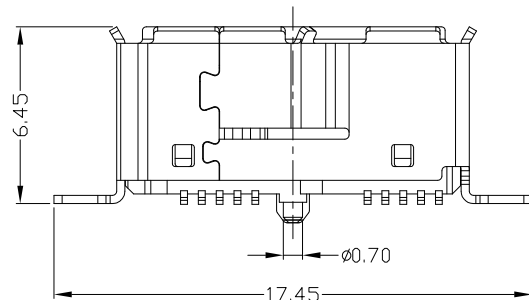
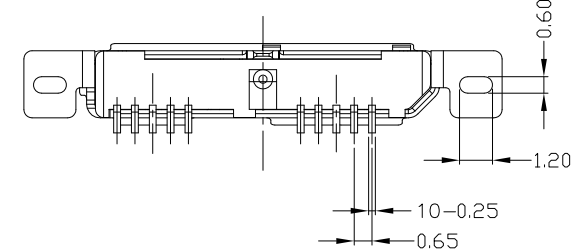
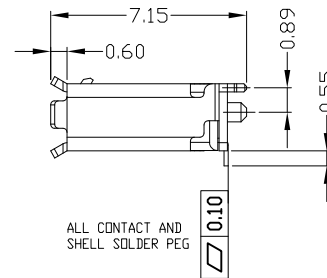
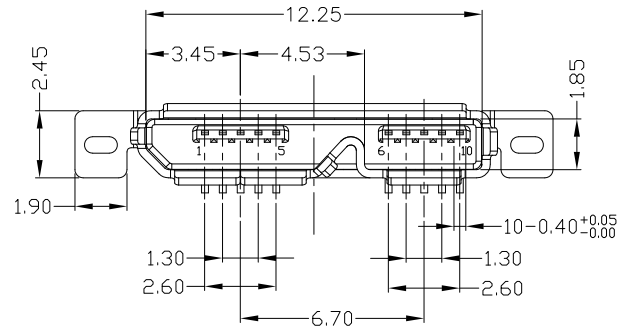


RoHS
Compliant
2002/95/EC

REV	LTR	DESCRIPTION	DATE	REVISER	APPD



RECOMMENDED P.C.B LAYOUT



PIN NUMBER	SIGNAL NAME
1	VBUS
2	D-
3	D+
4	ID
5	GND
6	MICB_SSTX-
7	MICB_SSTX+
8	GND_DRAIN
9	MICB_SSRX-
10	MICB_SSRX+
	Shell
	Shield

NOTES:

- ELECTRICAL:
 - VOLTAGE CURRENT RATING: 1AMP, 30V AC;
 - INSULATION RESISTANCE: 100MΩ MIN;
 - CONTACT RESISTANCE: 30mΩ MAX;
 - WITHSTANDING VOLTAGE: 500V AC;
 - OPERATING TEMPERATURE: -40°C TO +85°C.
- Mechanical:
 - Mating Force: 35N MAX
 - Unmating Force: 10N MIN.
- DIMENSIONS MARKED "▼" TO BE CHECKED BY Q.C & IPQC.

4. PART NO.

MUYF-10*N-4BQW00-C

1:Au 10"
5:Au 15U"
6:Au 30U"
W:WHITE
B:BLACK
1PBT
2PA6T
3PA9T
4LCP

Bill of materials:

NO	PARTS	MATERIAL	QTY	FINISHING	UNITS	mm	东莞市腾兴电子有限公司							
3	SHELL	STAINLESS STEEL	1	PLATED NICKEL	X. ±0.35	X.' ±2'	SEE NOTE	TITLE:	PART NO.: MUYF-10*N-4BQW00-C					
2	HOUSING	LCP+30%GF	1	UL94V-0	.X ±0.3	.X' ±1'		DR:				gan 2017/08/06		
1	TERMINAL	COPPER ALLOY	10	PLATED GOLD/TIN	.XX ±0.25	.XX'		CHKD:				gan 2017/08/06		
NO	PARTS	MATERIAL	QTY	FINISHING	.XXX ±0.15	.XXX'	SEE NOTE	APPD:	gan 2017/08/06					
THESE DRAWINGS AND SPECIFICATIONS ARE THE PROPERTY OF ACCURATE INNO TECH INC. AND SHALL NOT BE REPRODUCED, COPIED OR USED IN ANY MANNER WITHOUT THE PRIOR WRITTEN CONSENT OF ACCURATE INNO TECH INC.							Q'TY	SCALE	SHEET	REV.	CUSTOMER DRAWING			
							1:1	1/1	B					