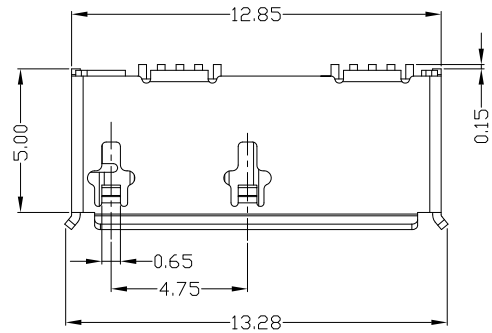


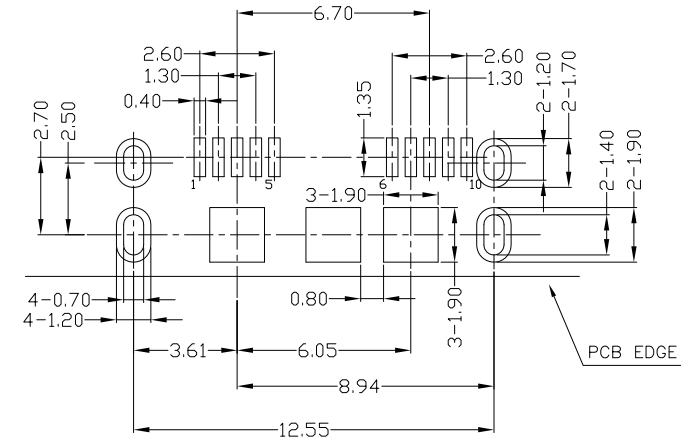


RoHS  
Compliant  
2002/95/EC

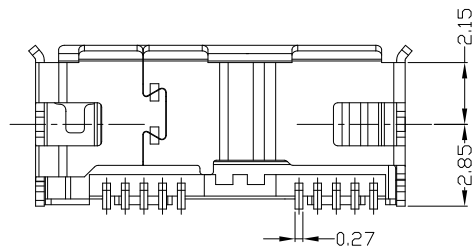
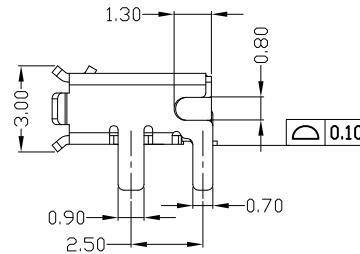
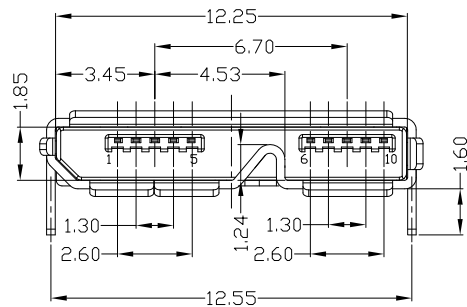
REV	LTR	DESCRIPTION	DATE	REVISER	APPD



PIN NUMBER	SIGNAL NAME
1	VBUS
2	D-
3	D+
4	ID
5	GND
6	MICB_SSTX-
7	MICB_SSTX+
8	GND_DRAIN
9	MICB_SSRX-
10	MICB_SSRX+
Shell	Shield



RECOMMENDED P.C.B LAYOUT



NOTES:

- ELECTRICAL:
  - VOLTAGE CURRENT RATING: 1AMP, 30V AC;
  - INSULATION RESISTANCE: 100MΩ MIN;
  - CONTACT RESISTANCE: 30mΩ MAX;
  - WITHSTANDING VOLTAGE: 500V AC;
  - OPERATING TEMPERATURE: -40°C TO +85°C.
- Mechanical:
  - Mating Force: 35N MAX
  - Unmating Force: 10N MIN.
- NOTE: 1. DIMENSIONS MARKED "▼" TO BE CHECKED BY Q.C & IPQC.

4. PART NO.

MUYF-105N-4BHT010  
 1:Au 1U"  
 5:Au 15U"  
 6:Au 30U"  
 W:WHITE  
 B:BLACK  
 1:PBT  
 2:PA6T  
 3:PA9T  
 4:LCP

Bill of materials:

NO	PARTS	MATERIAL	QTY	FINISHING
3	SHELL	STAINLESS STEEL	1	PLATED NICKEL
2	HOUSING	LCP+30%GF	1	UL94V-0
1	TERMINAL	COPPER ALLOY	10	PLATED GOLD/TIN
NO	PARTS	MATERIAL	QTY	FINISHING

UNITS		mm	
X. ±0.35	X.' ±2'		
.X ±0.3	.X' ±1'		
.XX ±0.25	.XX'	SEE NOTE	
.XXX ±0.15	.XXX'	SEE NOTE	
THESE DRAWINGS AND SPECIFICATIONS ARE THE PROPERTY OF ACCURATE INNTECH INC AND SHALL NOT BE REPRODUCED, COPIED OR USED IN ANY MANNER WITHOUT THE PRIOR WRITTEN CONSENT OF ACCURATE INNTECH INC		Q'TY	

<b>东莞市腾兴电子有限公司</b>			
TITLE: MICRO USB 3.0 B FEMALE SMT TYPE(DIP SHELL) 12.55 4脚 腳長1.6		PART NO.: MUYF-105N-4BHT010	
DR: gan 2018/1/20		DWG NO.: AII-HT010	
CHKD: gan 2018/1/20		SCALE	SHEET
APPD:		1:1	1/1
		REV.	CUSTOMER
		B	DRAWING