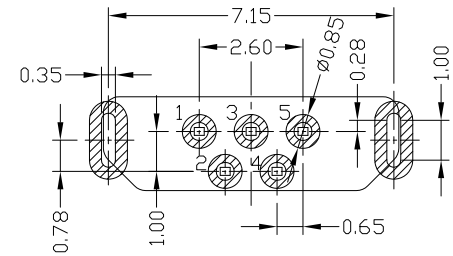
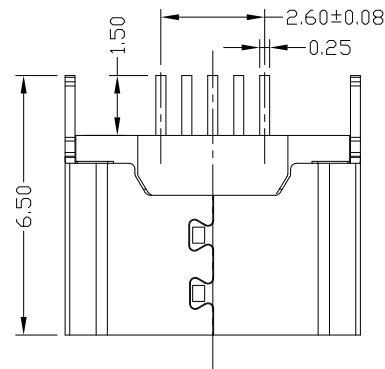
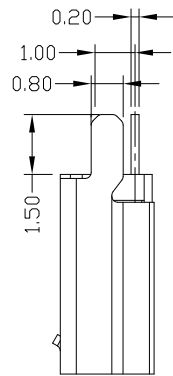
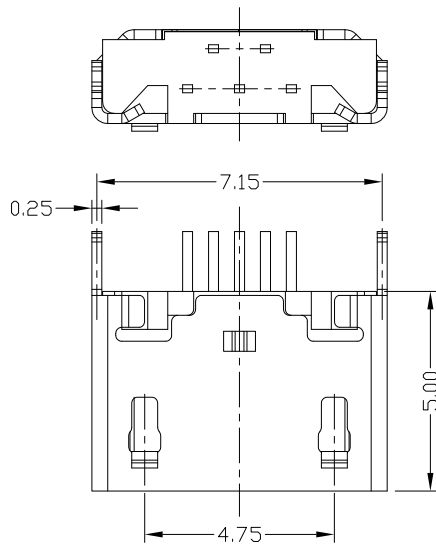




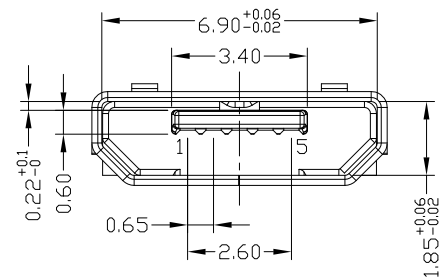
RoHS Compliant
2002/95/EC

Halogen Free

REV.	ECN. NO.	APPD.



RECOMMENDED PCB LAYOUT



NOTES:

1.ELECTRICAL:

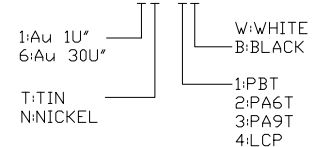
- 1)VOLTAGE CURRENT RATING:PIN1&5 1.8AMP MAX / PIN2&3&4 1AMP MAX. ,30V AC;
- 2)INSULATION RESISTANCE: 100MΩ MIN;
- 3)CONTACT RESISTANCE: 30mΩ MAX;
- 4)WITHSTANDING VOLTAGE: 100V AC; FOR 1 MIN.
- 5)OPERATING TEMPERATURE:-30°C TO +80°C.

2.Mechanical:

- 1)Mating Force: 35N MAX
 - 2)Unmating Force: 10N MIN.
- 3.DIMENSIONS MARKED "▼" TO BE CHECKED BY Q.C & IPQC.**

4.PART NO.

MUYF-05*T-4BPUA677



Bill of materials:

NO	PARTS	MATERIAL	QTY	FINISHING
3	SHELL	STAINLESS STEEL	1	PLATED TIN
2	HOUSING	LCP+30%GF	1	UL94V-0
1	TERMINAL	COPPER ALLOY	5	PLATED GOLD

X. ±0.35	X.' ±2*	UNITS	mm
.X ±0.30	.X' ±1*	MAT'L	
.XX ±0.25	.XX*	SEE NOTE	
.XXX ±0.15	.XXX*	FINISH	
<small>THESE DRAWINGS AND SPECIFICATIONS ARE THE PROPERTY OF ACCURATE INNTECH INC AND SHALL NOT BE REPRODUCED, COPIED OR USED IN ANY MANNER WITHOUT THE PRIOR WRITTEN CONSENT OF ACCURATE INNTECH INC</small>		Q'TY	

东莞市腾兴电子有限公司

TITLE:		PART NO.:	
MICRO USB B TYPE F 5P 180度 插板脚长1.5 无导位		MUYF-05*T-4BPUA677	
DR: <i>Ricky</i> 2018/3/27		DWG NO.:	
CHKD: <i>Ricky</i> 2018/3/27		AII-PUA677	
APPD:		SCALE	SHEET
		1:1	1/1
		REV.	CUSTOMER DRAWING
		A	