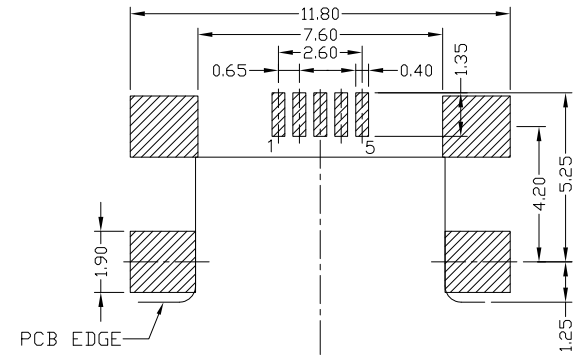
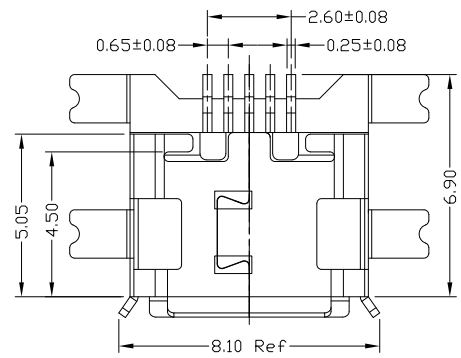
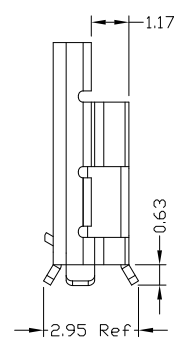
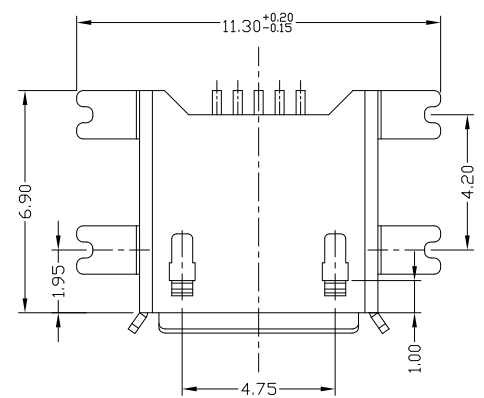
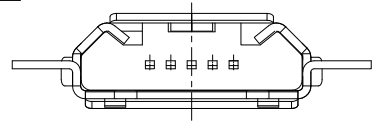
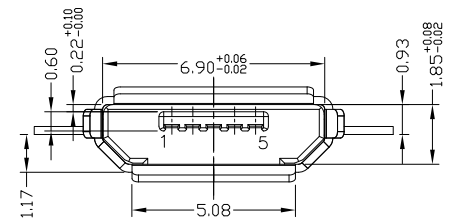



**RoHS Compliant**  
 2002/95/EC  
**Halogen Free**

REV.	ECN. NO.	APPD.



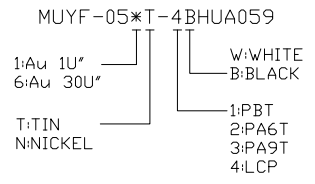
**RECOMMENDED PCB LAYOUT**



**NOTES:**

- 1.ELECTRICAL:**
  - 1)VOLTAGE CURRENT RATING:PIN1&5 1.8AMP MAX / PIN2&3&4 1AMP MAX. ,30V AC;
  - 2)INSULATION RESISTANCE: 100MΩ MIN;
  - 3)CONTACT RESISTANCE: 30mΩ MAX;
  - 4)WITHSTANDING VOLTAGE: 100V AC; FOR 1 MIN.
  - 5)OPERATING TEMPERATURE:-30°C TO +80°C.
- 2.Mechanical:**
  - 1)Mating Force: 35N MAX
  - 2)Unmating Force: 10N MIN.
- 3.DIMENSIONS MARKED "▼" TO BE CHECKED BY Q.C & IPQC.**

**4.PART NO.**



**Bill of materials:**

NO	PARTS	MATERIAL	QTY	FINISHING	UNITS	mm	东莞市腾兴电子有限公司						
3	SHELL	COPPER ALLOY	1	PLATED TIN	X. ±0.35	X.* ±2*	MAT'L	TITLE: MICRO USB B TYPE F 5P SMT 破板式1.17 四脚全贴		PART NO.: MUYF-05*T-4BHUA059			
2	HOUSING	LCP+30%GF	1	UL94V-0	.X ±0.30	.X* ±1*	SEE NOTE	DR: Ricky 2018/5/10		DWG NO.: AII-HUA059			
1	TERMINAL	COPPER ALLOY	5	PLATED GOLD	.XX ±0.25	.XX*	FINISH	CHKD: Ricky 2018/5/10		SCALE SHEET REV. CUSTOMER DRAWING			
					.XXX ±0.15	.XXX*	SEE NOTE	APPD:		5:1	1/1	A	
<small>THESE DRAWINGS AND SPECIFICATIONS ARE THE PROPERTY OF ACCURATE INNDTECH AND SHALL NOT BE REPRODUCED, COPIED OR USED IN ANY MANNER WITHOUT THE PRIOR WRITTEN CONSENT OF ACCURATE INNDTECH INC</small>							