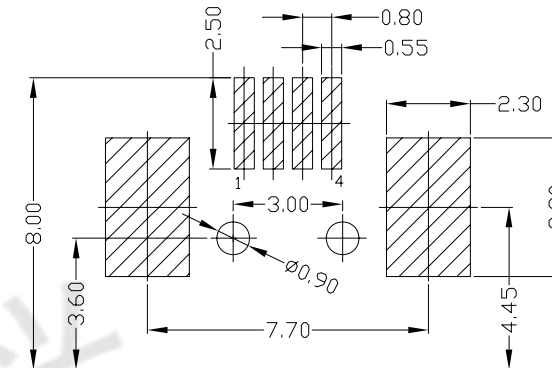
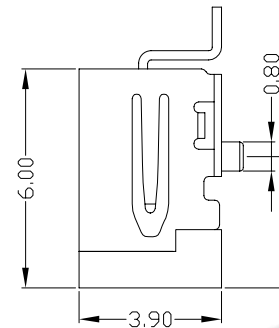
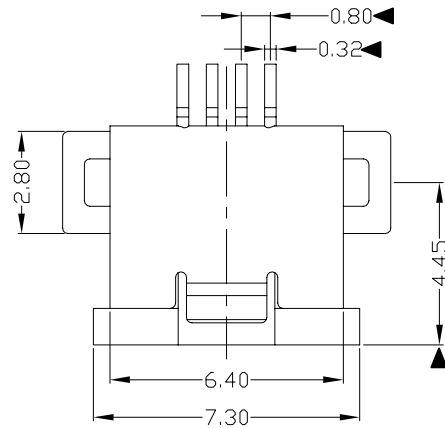




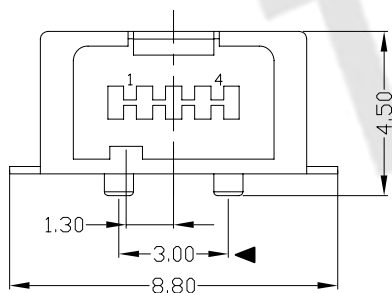
RoHS
Compliant
2002/95/EC

REV.	ECN. NO.	APPD.



RECOMMENDED PCB LAYOUT

单防



NOTES:

1. ELECTRICAL:

- 1) VOLTAGE CURRENT RATING: 1.0AMP,30V AC;
- 2) INSULATION RESISTANCE: 100MΩ MIN;
- 3) CONTACT RESISTANCE: 50mΩ MAX;
- 4) WITHSTANDING VOLTAGE: 300V AC;
- 5) OPERATING TEMPERATURE:-55°C TO +85°C.

2. Mechanical:

- 1) Mating Force: 30N MAX
- 2) Unmating Force: 7N MIN.

3. DIMENSIONS MARKED "▼" TO BE CHECKED BY Q.C & IPQC.

4.PART NO.

MUNF-04*N-4BH81

- 1: Au 1U"
- 6: Au 30U"
- W: WHITE
- B: BLACK
- 1: PBT
- 2: PA6T
- 3: PA9T
- 4: LCP

Bill of materials:

3	HOUSING	LCP	1	UL94V-0	X. ±0.35	X.' ±2*	UNITS	mm	东莞市腾兴电子有限公司					
2	SHELL	COPPER ALLOY	1	PLATED NICKEL	.X ±0.3	.X' ±1*	MAT'L	SEE NOTE					TITLE:	PART NO.:
1	TERMINAL	COPPER ALLOY	4	PLATED GOLD/TIN	.XXX ±0.15	.XXX*	FINISH	SEE NOTE	MINI USB 4P/F SMT (单防呆)	MUNF-04*N-4BH81				
NO	PARTS	MATERIAL	QTY	FINISHING	THESE DRAWINGS AND SPECIFICATIONS ARE THE PROPERTY OF ACCURATE INNTECH INC AND SHALL NOT BE REPRODUCED, COPIED OR USED IN ANY MANNER WITHOUT THE PRIOR WRITTEN CONSENT OF ACCURATE INNTECH INC.			Q'TY	DR:	DWG NO.:				
								APPD:	gan 2012/7/02	AII-H81				
								SCALE	1:1	SHEET	1/1	REV.	B	CUSTOMER DRAWING