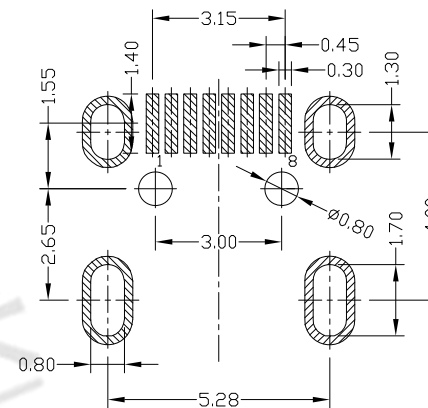
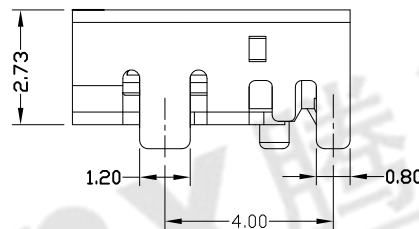
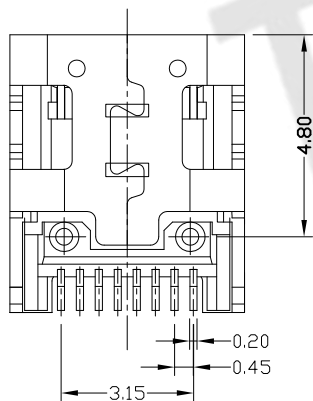
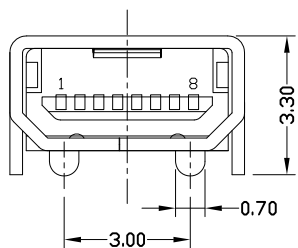
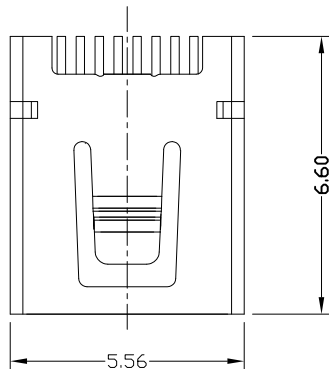




RoHS
Compliant
2002/95/EC

REV.	ECN.	NO.	APPD.



RECOMMENDED PCB LAYOUT

NOTES:

- ELECTRICAL:
 - VOLTAGE CURRENT RATING: 1.0AMP,30V DC;
 - INSULATION RESISTANCE: 100MΩ MIN;
 - CONTACT RESISTANCE: 50mΩ MAX;
 - WITHSTANDING VOLTAGE: 300V AC;
 - OPERATING TEMPERATURE:-55°C TO +85°C.
- Mechanical:
 - Mating Force: 35N MAX
 - Unmating Force: 1N MIN.
- DIMENSIONS MARKED "▼" TO BE CHECKED BY Q.C & IPQC.

4.PART NO.

MUBF-08*N-4BV80

1:Au 1U*
6:Au 30U*
N:NICKEL
G:GOLD
W:WHITE
B:BLACK
1:PBT
2:PA6T
3:PA9T
4:LCP

Bill of materials:

3	HOUSING	LCP+30%GF	1	UL94V-0	X. ±0.35	X.° ±2°
2	SHELL	COPPER ALLOY	1	PLATED NICKEL/GOLD	.X ±0.3	.X° ±1°
1	TERMINAL	COPPER ALLOY	8	PLATED GOLD/TIN	.XX ±0.25	.XX°
NO	PARTS	MATERIAL	QTY	FINISHING	.XXX ±0.15	.XXX°

THESE DRAWINGS AND SPECIFICATIONS ARE THE PROPERTY OF ACCURATE INNOTECH INC AND SHALL NOT BE REPRODUCED, COPIED OR USED IN ANY MANNER WITHOUT THE PRIOR WRITTEN CONSENT OF ACCURATE INNOTECH INC.

UNITS	mm	东莞市腾兴电子有限公司			
MAT'L	SEE NOTE				
FINISH	SEE NOTE	TITLE: MINI USB 8P/F 90° DIP四脚(模顶/双边 例角)	PART NO: MUBF-08*N-4BV80		
Q'TY	DR: gan 2017/05/03	CHKD: gan 2017/05/03	DWG NO: AII-V80		
APPD:	APPD:	SCALE	SHEET	REV.	CUSTOMER DRAWING
		1:1	1/1	B	