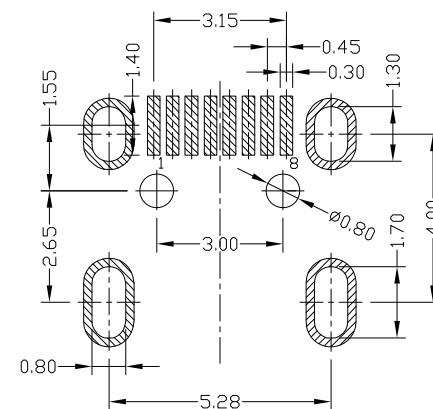
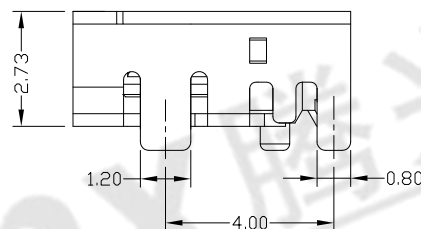
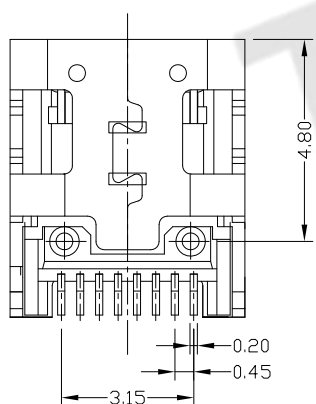
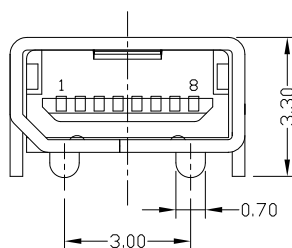
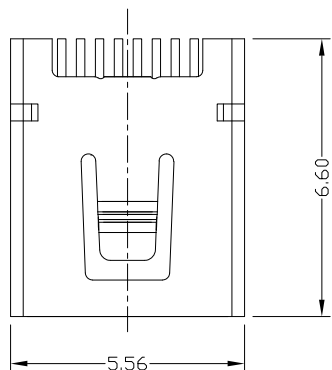




RoHS
Compliant
2002/95/EC

REV.	ECN.	NO.	APPD.



RECOMMENDED PCB LAYOUT

NOTES:

- ELECTRICAL:
 - VOLTAGE CURRENT RATING: 1.0AMP,30V DC;
 - INSULATION RESISTANCE: 100MΩ MIN;
 - CONTACT RESISTANCE: 50mΩ MAX;
 - WITHSTANDING VOLTAGE: 300V AC;
 - OPERATING TEMPERATURE:-55°C TO +85°C.
- Mechanical:
 - Mating Force: 35N MAX
 - Unmating Force: 1N MIN.
- DIMENSIONS MARKED "▼" TO BE CHECKED BY Q.C & IPQC.

4.PART NO.

MUBF-08*N-4BV83

1:Au 1U*

6:Au 30U*

N:NICKEL

G:GOLD

W:WHITE

B:BLACK

1:PBT

2:PA6T

3:PA9T

4:LCP

Bill of materials:

NO	PARTS	MATERIAL	QTY	FINISHING	UNITS	mm	东莞市腾兴电子有限公司				
3	HOUSING	LCP+30%GF	1	UL94V-0	X. ±0.35	X.* ±2°	SEE NOTE	TITLE: MINI USB 8P F 90° DIP四脚3.3mm(模 顶单边倒角)		PART NO.: MUBF-08*N-4BV83	
2	SHELL	COPPER ALLOY	1	PLATED NICKEL/GOLD	.X ±0.3	.X.* ±1°		DR: gan 2017/05/03		DWG NO.: AII-V83	
1	TERMINAL	COPPER ALLOY	8	PLATED GOLD/TIN	.XXX ±0.15	.XXX.*		CHKD: gan 2017/05/03		SCALE SHEET REV. CUSTOMER 1:1 1/1 B DRAWING	
THESE DRAWINGS AND SPECIFICATIONS ARE THE PROPERTY OF ACCURATE INNOTECH INC AND SHALL NOT BE REPRODUCED, COPIED OR USED IN ANY MANNER WITHOUT THE PRIOR WRITTEN CONSENT OF ACCURATE INNOTECH INC.							APPD:				