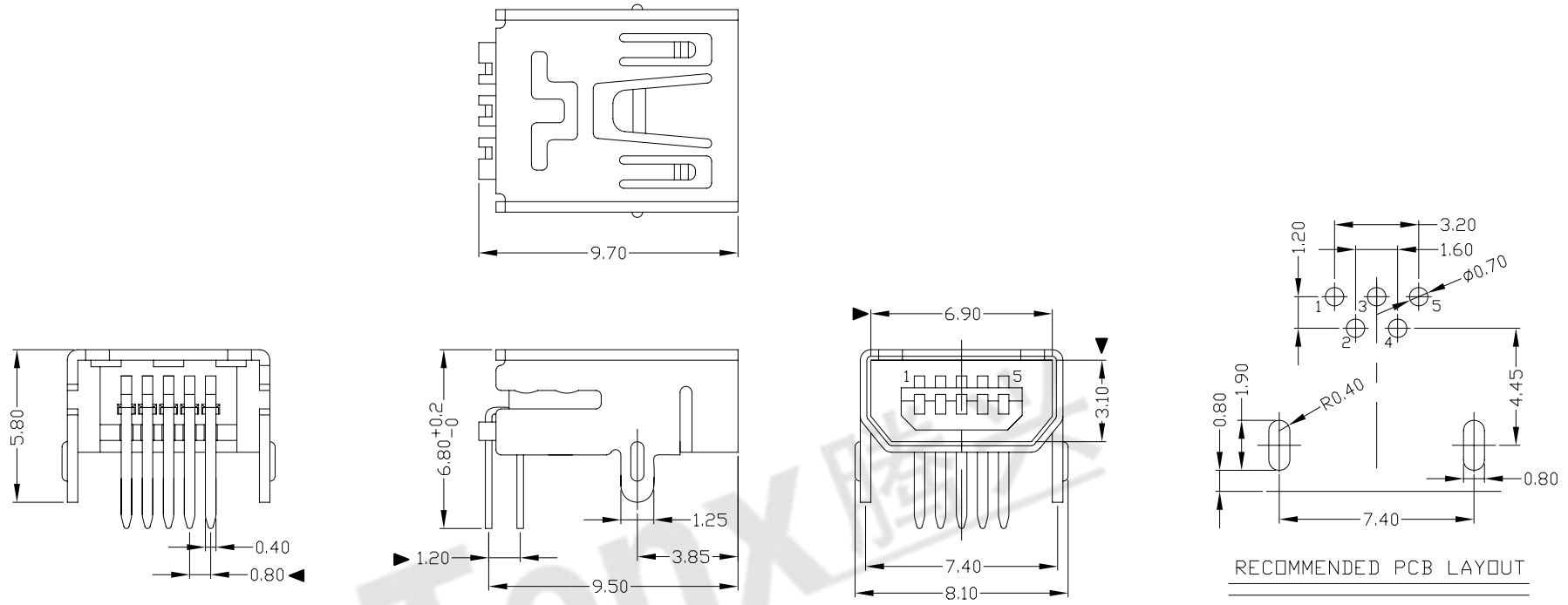




RoHS
Compliant
2002/95/EC

REV	LTR	DESCRIPTION	DATE	REVISER	APPD



端子正位度以不影响插板为主，所有尺寸只做辅助管控作用，端子高低不平按 MAX 0.30管控

NOTES:

- ELECTRICAL:
 - VOLTAGE CURRENT RATING: 1.0AMP,30V AC;
 - INSULATION RESISTANCE: 100M Ω MIN;
 - CONTACT RESISTANCE: 50m Ω MAX;
 - WITHSTANDING VOLTAGE: 300V AC;
 - OPERATING TEMPERATURE:-55°C TO +85°C.
- Mechanical:
 - Mating Force: 30N MAX
 - Unmating Force: 7N MIN.
- DIMENSIONS MARKED "▼" TO BE CHECKED BY Q.C & IPQC.

4.PART NO.

MUNF-05*N-4BR83

W:WHITE
B:BLACK

1:Au 1U μ
6:Au 30U μ

1:PBT
2:PA6T
3:PA9T
4:LCP

Bill of materials:

NO	PARTS	MATERIAL	QTY	FINISHING					
3	HOUSING	LCP	1	UL94V-0	X. ± 0.35	X.' $\pm 2^*$	UNITS	mm	东莞市腾兴电子有限公司 TITLE: MINI USB 5P/F90° AB型两脚 (端子脚加长) PART NO.: MUNF-05*N-4BR83 DR: gan 2015/1/21 DWG NO.: AII-R83 CHKD: gan 2015/1/21 APPD:
2	SHELL	COPPER ALLOY	1	PLATED NICKEL	.X ± 0.3	.X' $\pm 1^*$	MAT'L	SEE NOTE	
1	TERMINAL	COPPER ALLOY	5	PLATED GOLD/TIN	.XX ± 0.25	.XX'	FINISH	SEE NOTE	
					.XXX ± 0.15	.XXX'	Q'TY		
					THESE DRAWINGS AND SPECIFICATIONS ARE THE PROPERTY OF ACCURATE INNOVATECH INC AND SHALL NOT BE REPRODUCED, COPIED OR USED IN ANY MANNER WITHOUT THE PRIOR WRITTEN CONSENT OF ACCURATE INNOVATECH INC.				
									SCALE: 1:1
									SHEET: 1/1
									REV: B
									CUSTOMER DRAWING